



Contents of the bag of fasteners:

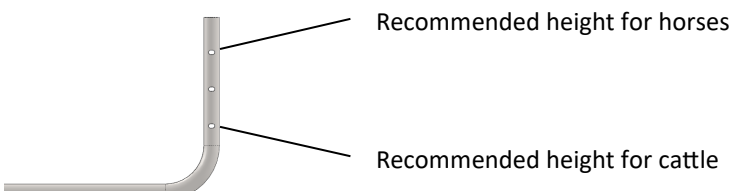
Assembly instructions	1	M14 hex head locknut	10
M10x20 pan head screw	20	M10 hex head nut	40
M14x100 hex head screw	10	M10 washer	48
Eyebolt Ø14 length 100 with chain	2	Square drive bit 60	2
M10x60 hex head screw	8	M10 locknut	8
Towing bar eyebolt Ø14	2	10x70 Zn rectangular head bolt with nut	8
Lynch pin Ø4	2	Bolted clevis	4
Roof bracket	4		

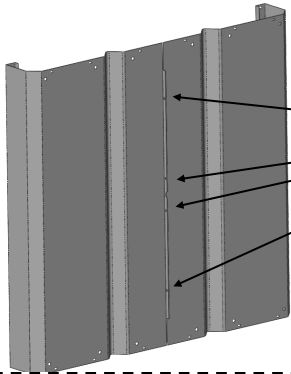
IMPORTANT NOTE:

To avoid any risk of injury when using our hay racks for horses:

1. You are strongly advised to position the runners and roof arches at the highest level.
2. Use the towing protection (reference 1121143).
3. Use the roof protection (reference 1121135).

Height adjustment:



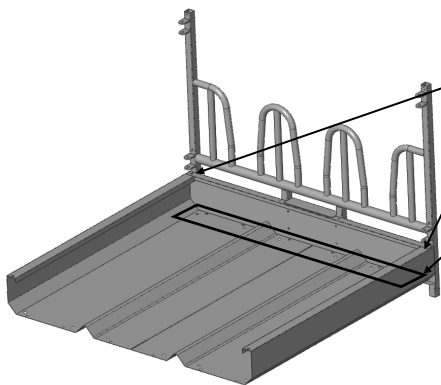


1. Assembling the bottom plates

Assemble the 2 bottom plates with the M10x20 pan head screws.

To make the following assembly steps easier, we recommend you place the bottom of the hay rack on 2 pallets.

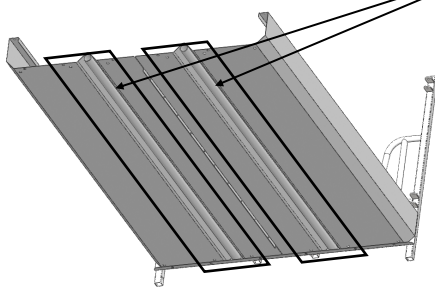
IMPORTANT: From step 2, we recommend that you do not fully tighten the screws!



2. Assembling the bottom and hitch panel

Position the bottom inside the hitch panel and first fasten the M10x20 pan head screws at the top of both sides.

Then fasten the remaining 6 screws where indicated.



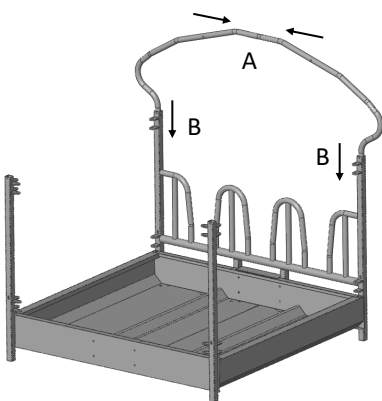
3. Bottom reinforcement

Slide the two reinforcing tubes into the two reinforcing folds.

4. Assembling the bottom and opposite side panel

Same process as step 2.

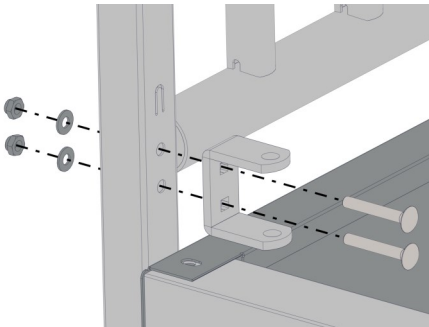
Bottom view



5. Fastening the roof arches

A. Assemble the half-arches.

B. Insert the arches on the hitch side panel and opposite panel at the desired height. Secure with the M10x60 hex head screws.

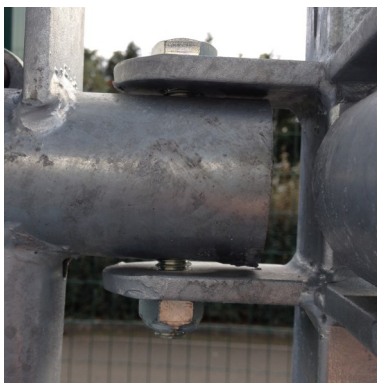


6. Fitting the clevises

Fit the 4 clevises with the 8 10x70 rectangular head bolts with nuts

+ 8 M10 washers

+ 8 M10 locknuts



7. Assembling the panels

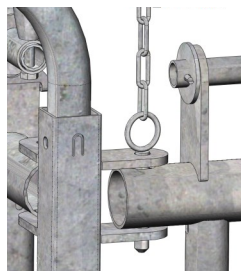
2 m x 2 m hay rack: 1 opening panel + 2 fixed panels.

Mount the fixed panels using M14x100 hex head screws in the 4 clevises.

For the opening panel:

Choose the direction of opening, left or right. Then mount the panel using the M14x100 hex head screws on the hinge side and using the eyebolts with chains on the other side.

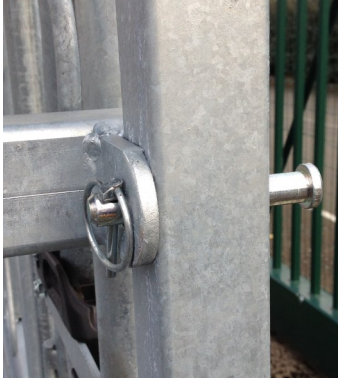
NOTE: For the 3-head yoke gate, the direction of opening must be on the hinge on the handle side.



8. Fastening the runners

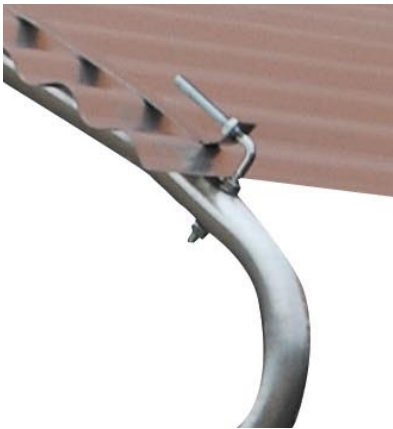
Raise the hay rack and fit the runners to the desired height (3 options), then secure them with M10x60 hex head screws.

IMPORTANT: Firmly tighten all of the screws from the previous assembly steps.



9. Towing bar

To prevent harming the animal, you must remove the towing bar after transport.



10. Installing the roof brackets

On either side of the arch, add an M10 hex nut and an M10 washer.

Do not tighten.

Required overlap for roof panels



11. Fastening the roof panels

Position the roof panels on the arches, adhering to the required overlap (2 overlapping corrugations; the central panel is above the two sides). Then position the metal straps perpendicularly and secure them using the roof brackets.

Tighten all of the brackets.