



ENGLISH
GB (Original instructions)

Operator's Manual Broadcast Spreader RB-60

WARNING




Read the instructions carefully and follow the rules for safe operation. Failure to do so could result in serious injury.


Contents

For safe use of your product.....	3
Warning notices	3
Other indicators	3
Symbols	3
Safety information.....	4
Description.....	5
Before you start	6
Packing list	6
Assembly	6
Operation	7
Maintenance and care	9
Specifications.....	11

For safe use of your product

Warning notices

 WARNING
<p>This symbol accompanied by the word "WARNING" calls attentions to an act or a condition which can lead to serious personal injury or death of operators and bystanders.</p>




 CAUTION
<p>"CAUTION" indicates a potentially hazardous situation which, if not avoided, may result in minor or moderate injury.</p>

Other indicators

<h3>NOTE</h3>
<p>This enclosed message provides tips for use, care and maintenance of the product.</p>

<h3>IMPORTANT</h3>
<p>Framed text featuring the word "IMPORTANT" contains important information about the use, checking, maintenance and storage of the product described in this manual.</p>

Symbols

Symbol form/shape	Symbol description/application	Symbol form/shape	Symbol description/application
	Safety/Alert		Circle and slash symbol means whatever is shown is prohibited.
	Carefully read the operator's manual		

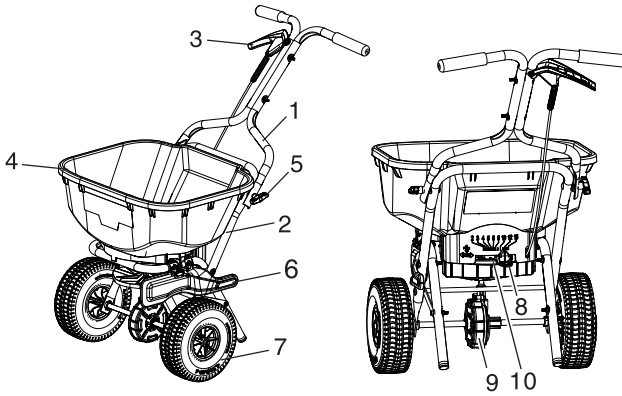
For safe use of your product

Safety information

WARNING

- Do not permit operation without proper training and protective equipment.
- Never allow children to use the product.
- Wear protective eyewear and gloves when handling and applying lawn and garden chemicals.
- Read and follow the chemical label instructions and warnings for handling and applying the chemicals you plan to spread.

Description



1. Top handle bracket
2. Bottom handle bracket
3. Actuator handle
4. Hopper
5. Handle assembly wing nut

6. Side deflector
7. Wheels
8. Gate adjuster
9. Gear case
10. Type and serial number

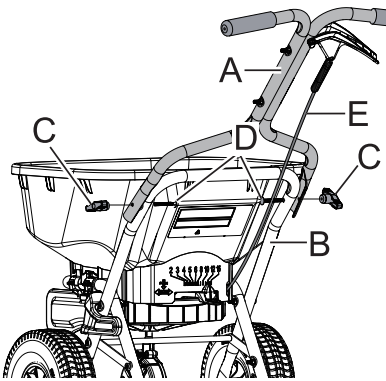
Before you start

Packing list

- The following parts are packed separately in the packing box.
- When you have unpacked the box, please check the parts that it contains.
- Contact your dealer if anything is missing or broken.

1. Broadcast spreader assembly (1)
2. Carriage bolts (2)
3. Wing nuts (2)
4. Quick start guide (1)

Assembly



1. Align holes in top handle bracket (A) with holes in bottom handle bracket (B).
 2. Secure handle brackets with wing nuts (C) and carriage bolts (D) on each side.
- * Attach each side loosely before tightening brackets securely

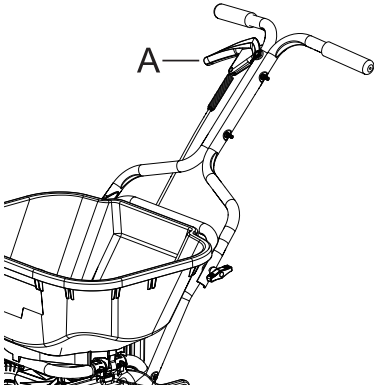
IMPORTANT

- Assure control cable (E) is routed behind handle brackets.
- Recommended tire pressure is 103.4 kPa (15 psi). Do not exceed 206.8 kPa (30 psi) MAX pressure rating.

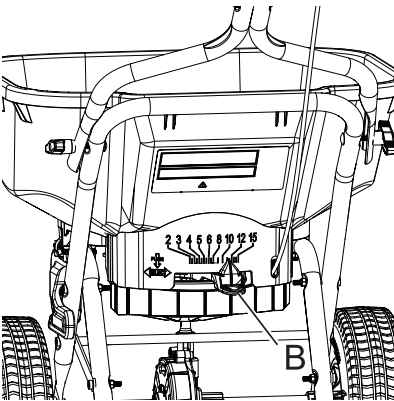
Operation

CAUTION

- Product can tip on uneven ground. Always fill hopper on flat ground, and keep bystanders away. Otherwise personal injury could result.



1. Release actuator handle (A) to close gate. Fill hopper.
 - * Fill hopper in an area that won't be damaged by spilled product.

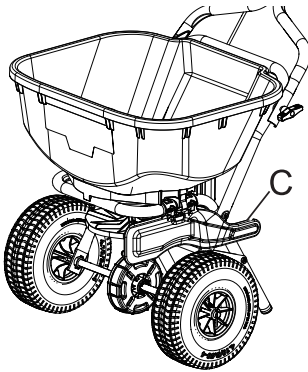


2. Push gate adjuster (B) down and move to best application setting. Pull adjuster upward to lock in place.

IMPORTANT

- Gate adjustment settings should only be used as a general guideline for application. Refer to instructions on material you are spreading for most accurate application setting requirements.

Operation

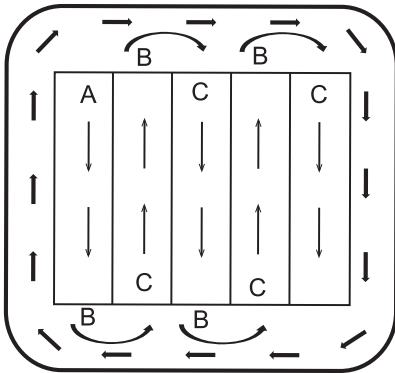


3. Lower edge guard (C) and make perimeter pass to protect non-lawn areas. Pull actuator handle to open gate while spreading.
4. Raise edge guard. Make parallel internal passes to ensure even coverage.

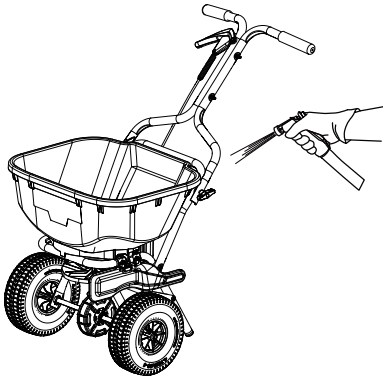
Setting by granular size					
	2 - 2.5	3 - 3.5	4 - 5.5	6 - 8	9 - 15
Setting	Fine control	Weed control	Fertilizer	Grass seed Overseeding	Grass seed New lawn

Sample spread pattern

- A: start
- B: shut off here
- C: restart



Maintenance and care



Maintenance

IMPORTANT

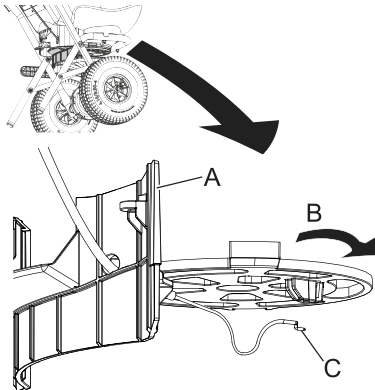
- Avoid spraying gear case directly, and do not use a pressure washer on spreader.

1. Wash spreader with a garden hose after each use.

Check tire pressure

IMPORTANT

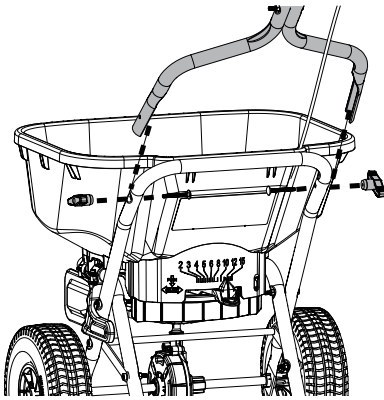
- Tires should be inflated to 15 psi. Assure tire pressure does not exceed 30 psi.



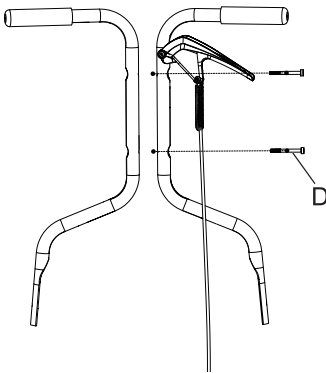
Replacing control cable

1. Remove Shield (A).
2. Turn gate (B) clockwise to relieve tension on cable.
3. Remove cable S hook (C) from gate.

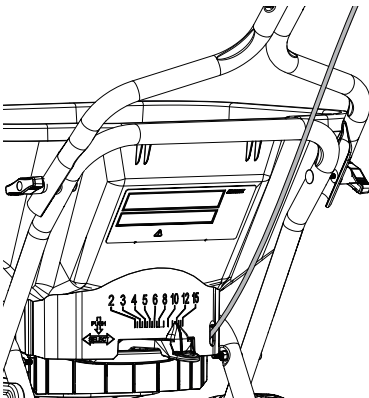
Maintenance and care



4. Remove upper handle bracket from lower handle bracket.



5. Remove bolts (D) and separate handle halves.
6. Install new handle half with control cable assembly. Install new handle half with control cable assembly.
7. Re assemble spreader components.



IMPORTANT

- Assure control cable is routed behind handle brackets.

Specifications

MODEL	RB-60
Length	959 mm
Width	584 mm
Height	794 mm
Weight	10.2 kg
Capacity	
Weight	27.2 kg
Volume	36.8 L
Loading height	584 mm
Wheels and tires	
Tire diameter	254 mm
Tire type	Pneumatic
Recommended pressure	103.4 kPa (15 psi)

These specifications are subject to change without notice.

YAMABIKO CORPORATION

1-7-2 Suehirocho, Ohme, Tokyo 198-8760 JAPAN

PHONE: 81-428-32-6118. FAX: 81-428-32-6145.



X750784-0300