

Turning **eggs** into valuable business



Farmpackers

We handle your eggs with care

Since 1956, SANOVO TECHNOLOGY GROUP has been the market leader within egg packing and grading, and today we offer a full range of the most innovative and high performing farmpackers in the industry.

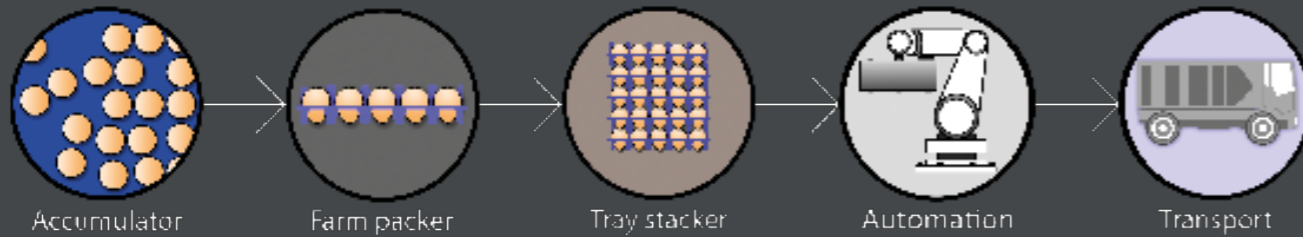
SANOVO 
TECHNOLOGY GROUP



60 years of experience you can rely on

In 1968, we developed and supplied our first farmpacker and since then our focus has been to make sure that farmers around the world are able to pack their eggs in the smoothest and most trouble-free way. We know the challenges of a rough environment and the importance of having a reliable, easy-to-maintain packing machine.

Functions in handling and packing eggs



Designed for gentle egg handling

We offer innovative, high quality and high performing farmpackers with a capacity range of 40 to 200 cases/hour.

With focus on low maintenance, reliability, easy cleaning and gentle egg handling, our range of compact and space-efficient machines provides you with flexible and efficient production facilities.

The high reliability is derived from experienced engineering and our categorical use of high quality materials. As an example, we use a minimum of plastic parts to avoid frequent replacement of

egg holders and other wearable parts, and the simple technical solutions enable you to maintain the machine without any special tools or knowledge.

All machines have to pass extensive testing before being shipped to customers all over the world, so you can expect a reliable and efficient packing machine from day one, and for many years to come.

Packing families optimized to your needs

No matter if your need is for a small- or large-scale packing solution, you are in safe hands with SANOVO TECHNOLOGY GROUP. Our range of packing machines covers a variety of compact and space-efficient machines that will provide the flexibility needed in your daily production.

The Farmpackers are designed for easy use so you can focus on getting your eggs packed. Available in sizes from 40 to 200 cases/hour, the machines are designed to meet all your requirements for efficient and fast “point down” packing.

FARMPACKER	40	70	100	200	24000
Maximum capacity	14,400 eggs/hour (40 cases/hour)	25,200 eggs/hour (70 cases/hour)	36,000 eggs/hour (100 cases/hour)	72,000 eggs/hour (200 cases/hour)	24,000 eggs/hour (67 cases/hour)
Accumulator extension	Optional	Optional	Optional	Optional	Optional
Detachable Accumulator for COP*	-	✓	✓	✓	-
Detachable Rollers for COP*	-	✓	✓	✓	-
Egg counter	Optional	Optional	✓	✓	✓
Controls	Buttons	Buttons	Touchscreen	Touchscreen	Buttons
Traystack SX40	Optional	Optional	Optional	Optional	Optional
<small>Tray type: 5X6 (Pulp and Plastic)</small>					
Traystack SX20	Optional	Optional	-	-	Optional
<small>Tray type: 5X6 (Only Plastic)</small>					
<small>* Cleaning of place</small>					

The Farmpackers are installed worldwide

At SANOVO TECHNOLOGY GROUP we have been working closely with egg producers for many years and have a thorough understanding of the challenges you face in your daily work. We know that your business depends on the daily performance, uptime and reliability of the equipment.



PERFORMANCE

Performance stays at its highest level as the machines are made to run every day with no downtime and very little service needed. This is made possible as many parts are made in stainless steel and the machines are designed for easy cleaning.



EASY TO OPERATE

Every Farmpacker is created with the guiding principle that they should be easy to use, so you can focus on getting your eggs packed and spend less time figuring out how to maintain it, determining replacement parts and worrying about uptime. Even if you've never owned a Farmpacker before, the chances are you will know it inside out in no time.



LOW MAINTENANCE

The Farmpackers are designed with your farm environment in mind. Simple, robust, reliable and flexible. Maximum uptime – 100% correct packing – easy to maintain. Wherever possible, we have used standard parts throughout the entire product range, like the rollers and conveyors, which are often locally available – thus reducing your operational costs and potential downtime.



FARMPACKERS - 2 YEARS WARRANTY

SANOVO TECHNOLOGY GROUP's definition of quality is based on an understanding of customer needs, where demands of performance, uptime and reliability of equipment are never compromised. Starting at production conception through to manufacturing via quality control, in-house testing and product distribution all the way to after-sales service, SANOVO TECHNOLOGY GROUP offers the customer much more than simply a machine – you also benefit from a superior level of overall company support.

Farmpacker 40

40 cases/hour (14,400 eggs/hour)



1 Point down

Individual egg handling, with soft materials and minimum drop height, ensuring perfect point down filling of the trays

2 Accumulator

Equipped with pressure control to ensure optimum regulation towards packing position.

3 Denester

Automatic feeding of single trays to the packing position. Easy to adapt to different tray types and equipped with missing tray detector accompanied by high buffer capacity.

4 Simple control

Easy to use control. One button for on/off switching, checking or adjusting. Standard provision of an emergency stop button.

5 Easy snap-on, snap-off roller

Spring loaded easily detachable snap-on/ snap-off roller for easy cleaning.

6 Safety

When opening the covers during operation, the whole machine will stop automatically.

7 Less moving parts

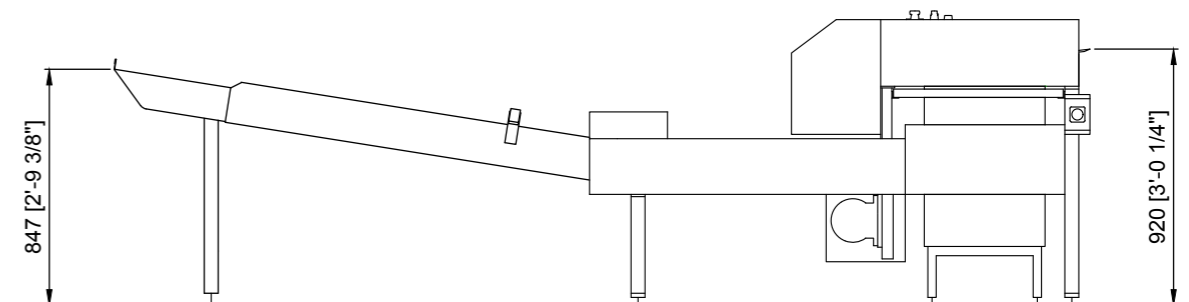
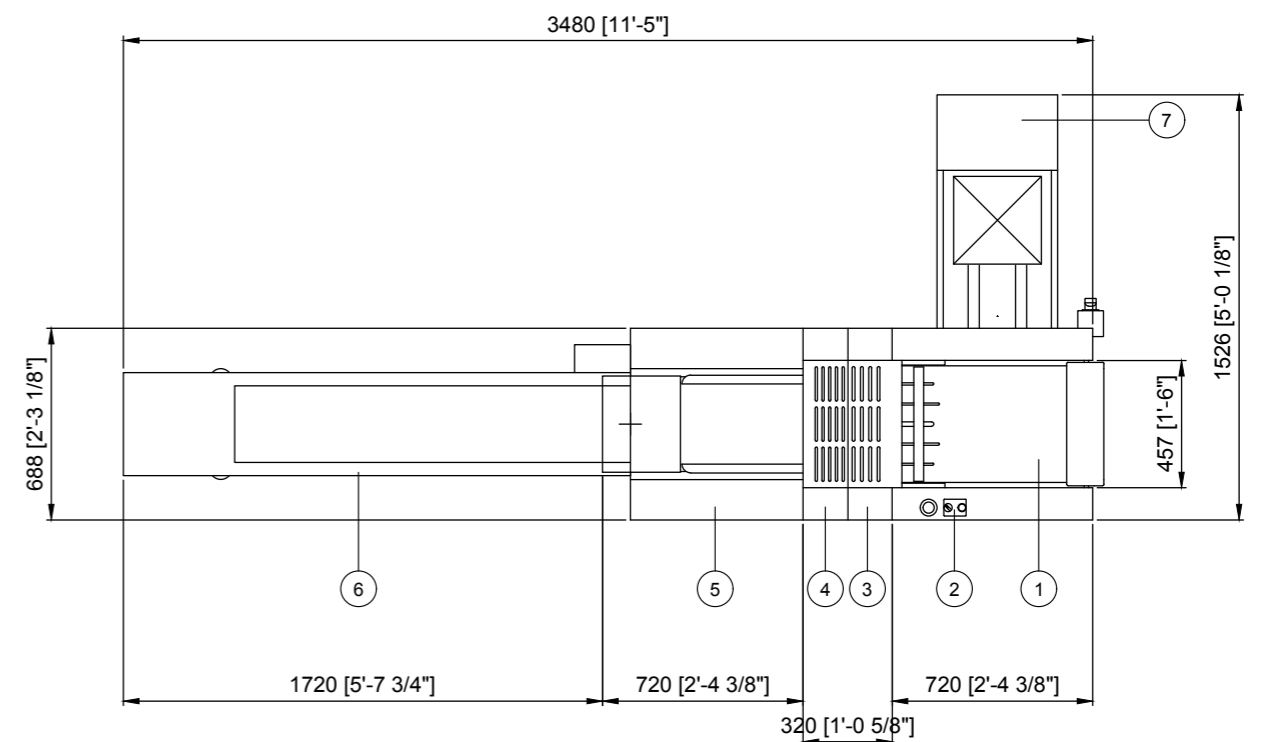
Simple in its design, with as few moving parts as possible, using natural flow and gravity to move eggs.

8 Take away conveyor

For buffering up to 6 full trays. Equipped with pressure control for comfort.

TECHNICAL DATA

Max capacity:	40 cases/hour (14,400 eggs/hour)
Installation anywhere:	5.4 m ²
Energy:	0.3 kVA
Power supply:	230 V-0-ground, 1.0-phase-AC, 50/60 Hz
Explanation drawing:	
1.	Accumulator
2.	Operator panel
3.	Egg orientation
4.	Packing head
5.	Transport lane
6.	Take away conveyor
7.	Denester



Farmpacker 70

70 cases/hour (25,200 eggs/hour)



1 Point down

Individual egg handling, with soft materials and minimum drop height, ensuring perfect point down filling of the trays.

2 Accumulator

Equipped with pressure control to ensure optimum regulation towards packing position.

3 Detachable accumulator

Detachable for easy cleaning. Equipped with pressure control to ensure optimum regulation towards packing position.

4 Denester

Automatic feeding of single trays to the packing position. Easy to adapt to different tray types and equipped with missing tray detector accompanied by high buffer capacity.

5 Simple control

Easy to use control. One button for on/off switching, checking or adjusting. Standard provision of an emergency stop button.

6 Detachable rollers

Spring loaded easily detachable snap-on/ snap-off rollers for easy cleaning.

7 Safety

When opening the covers during operation, the whole machine will stop automatically.

8 Less moving parts

Simple in its design, with as few moving parts as possible, using natural flow and gravity to move eggs.

9 Take away conveyor

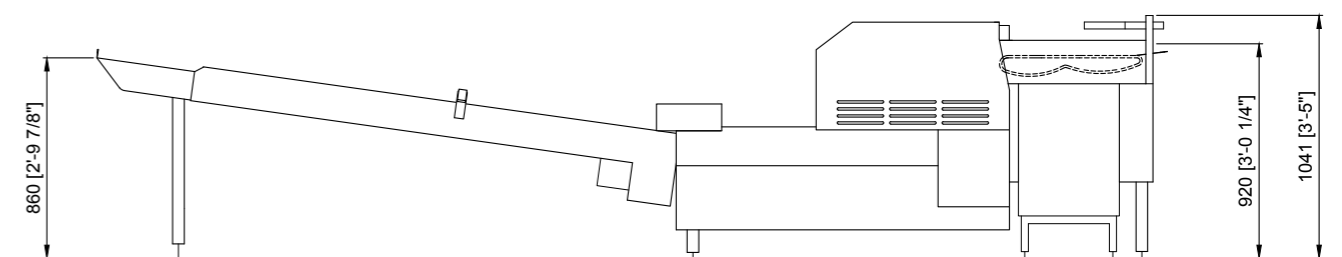
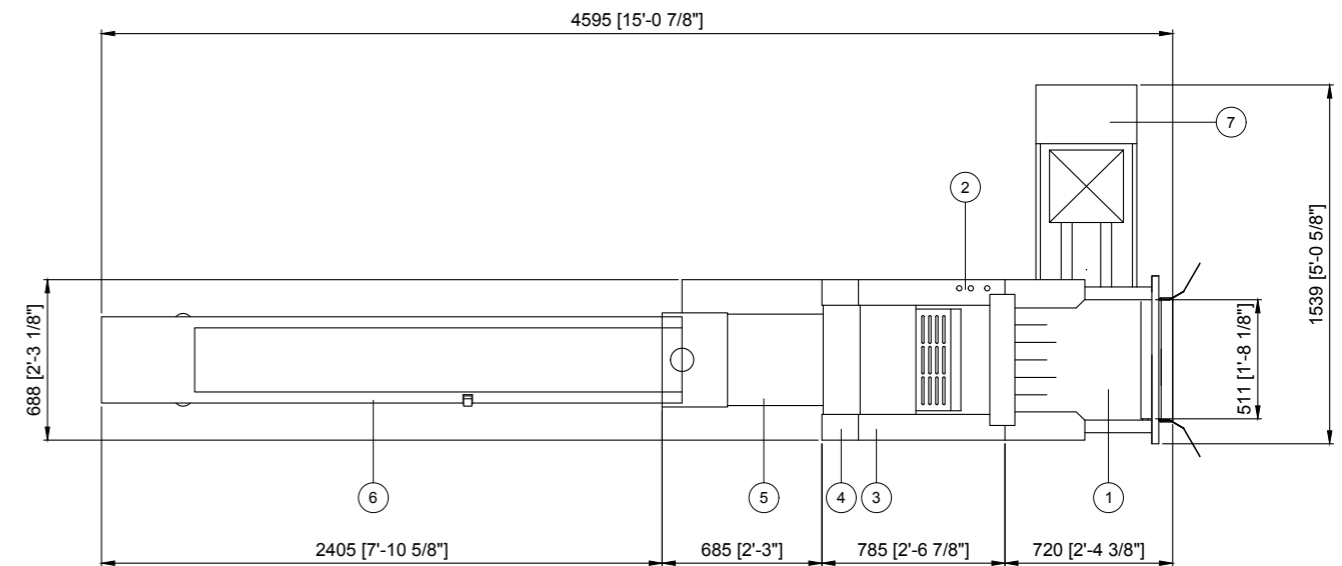
For buffering up to 6 full trays. Equipped with pressure control for comfort.

TECHNICAL DATA

Max capacity:	70 cases/hour (25,200 eggs/hour)
Installation anywhere:	7 m ²
Energy:	1.2 kVA
Power supply:	230 V-0-ground, 1.0-phase-AC, 50/60 Hz

Explanation drawing:

1.	Accumulator
2.	Operator panel
3.	Egg orientation
4.	Packing head
5.	Transport lane
6.	Take away conveyor
7.	Denester



Farmpacker 100

100 cases/hour (36,000 eggs/hour)



1 Point down

Individual egg handling, with soft materials and minimum drop height, ensuring perfect point down filling of the trays.

2 Detachable accumulator

Detachable for easy cleaning. Equipped with pressure control to ensure optimum regulation towards packing position.

3 Denester

Automatic feeding of single trays to the packing position. Easy to adapt to different tray types and equipped with missing tray detector accompanied by high buffer capacity.

4 Drop set

Places every tray 100% correctly in the tray transport lane.

5 Touch screen control

Built in multifunctional touch screen, all controls and counters integrated in an intuitive control center.

6 Detachable rollers

Spring loaded easily detachable snap-on/snap-off rollers for easy cleaning.

7 Safety

When opening the covers during operation, the whole machine will stop automatically.

8 Outfeed belt

For buffering up to 6 stacks of trays. Equipped with pressure control and pull-up function, filled stacks are automatically forwarded towards end position.

9 Speed adjustment on demand

Speed can be adjusted by operator for maximum efficiency during the whole laying period.

10 Tray stacker

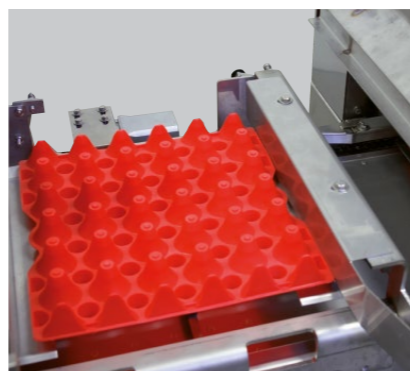
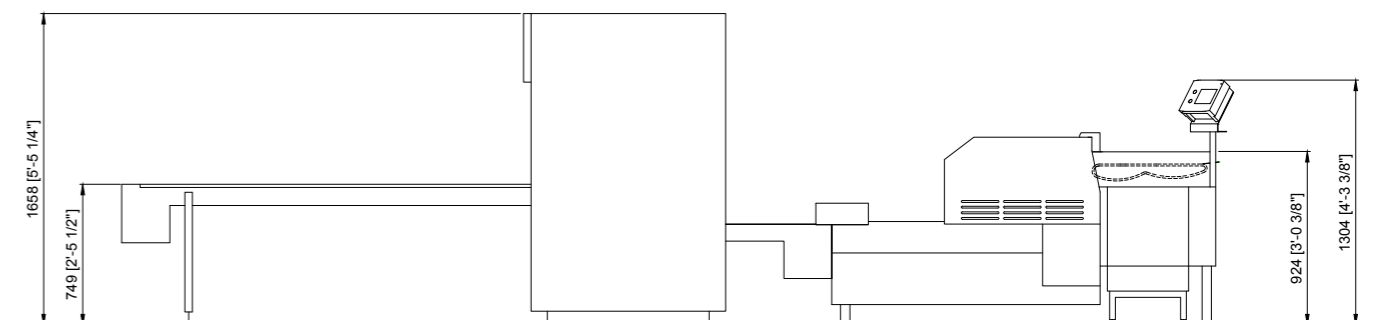
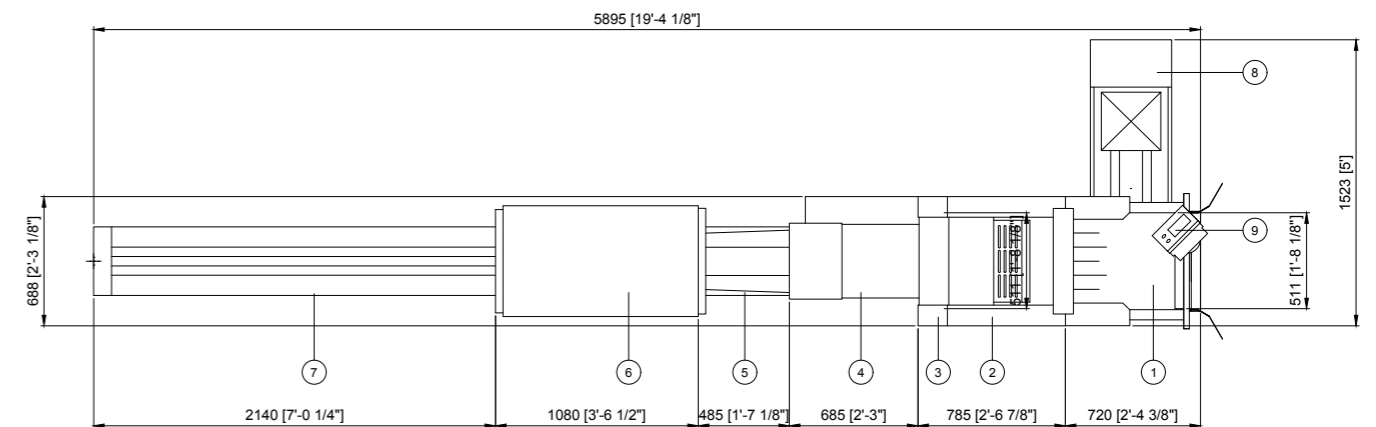
Capable of stacking both pulp and plastic trays into stacks of 6 trays high.

TECHNICAL DATA

Max capacity:	100 cases/hour (36,000 eggs/hour)
Installation anywhere:	7 m ²
Energy:	2.0 kVA with tray stacker (1.4 kVA without tray stacker)
Power supply:	230 V-0-ground, 1.0-phase-AC, 50/60 Hz

Explanation drawing:

1.	Accumulator
2.	Egg orientation
3.	Packing head
4.	Transport lane
5.	Location for stamping/printing
6.	Tray stacker
7.	Stacker take away conveyor
8.	Denester
9.	Operator panel



Farmpacker 200

200 cases/hour (72,000 eggs/hour)



TECHNICAL DATA

Max capacity:	200 cases/hour (72,000 eggs/hour)
Installation anywhere:	17.4 m ²
Energy:	2.2 kVA with tray stackers (2.0 kVA without tray stackers)
Power supply:	230 V-0-ground, 1.0-phase-AC, 50/60 Hz

Explanation drawing:

1.	Collecting table/ Splitbelt
2.	Accumulator
3.	Egg orientation
4.	Packing head
5.	Transport lane
6.	Location for stamping/printing
7.	Tray stacker
8.	Stacker take away conveyor
9.	Denester
10.	Operator panel

1 Point down

Individual egg handling, with soft materials and minimum drop height, ensuring perfect point down filling of the trays.

2 Detachable accumulator

Detachable for easy cleaning. Equipped with pressure control to ensure optimum regulation towards packing position.

3 Denester

Automatic feeding of single trays to the packing position. Easy to adapt to different tray types and equipped with missing tray detector accompanied by high buffer capacity.

4 Drop set

Places every tray 100% correctly in the tray transport lane.

5 Touch screen control

Built in multifunctional touch screen, all controls and counters integrated in an intuitive control center.

6 Detachable rollers

Spring loaded easily detachable snap-on/ snap-off rollers for easy cleaning.

7 Safety

When opening the covers during operation, the whole machine will stop automatically.

8 Outfeed belt

For buffering up to 6 stacks of trays. Equipped with pressure control and pull-up function, filled stacks are automatically forwarded towards end position.

9 Speed adjustment on demand

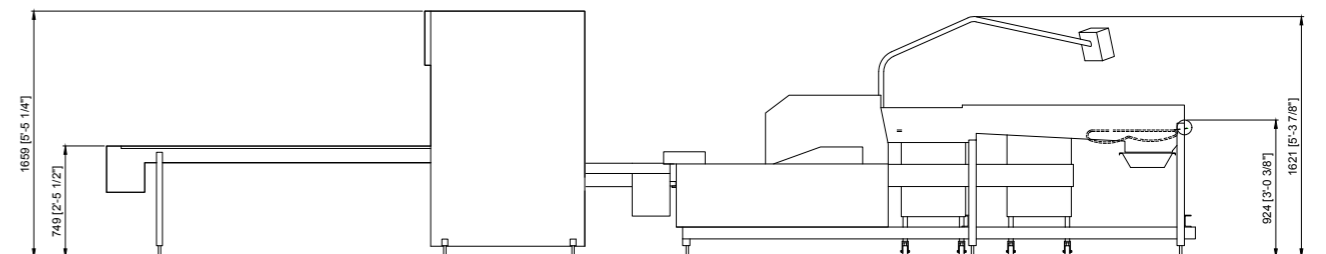
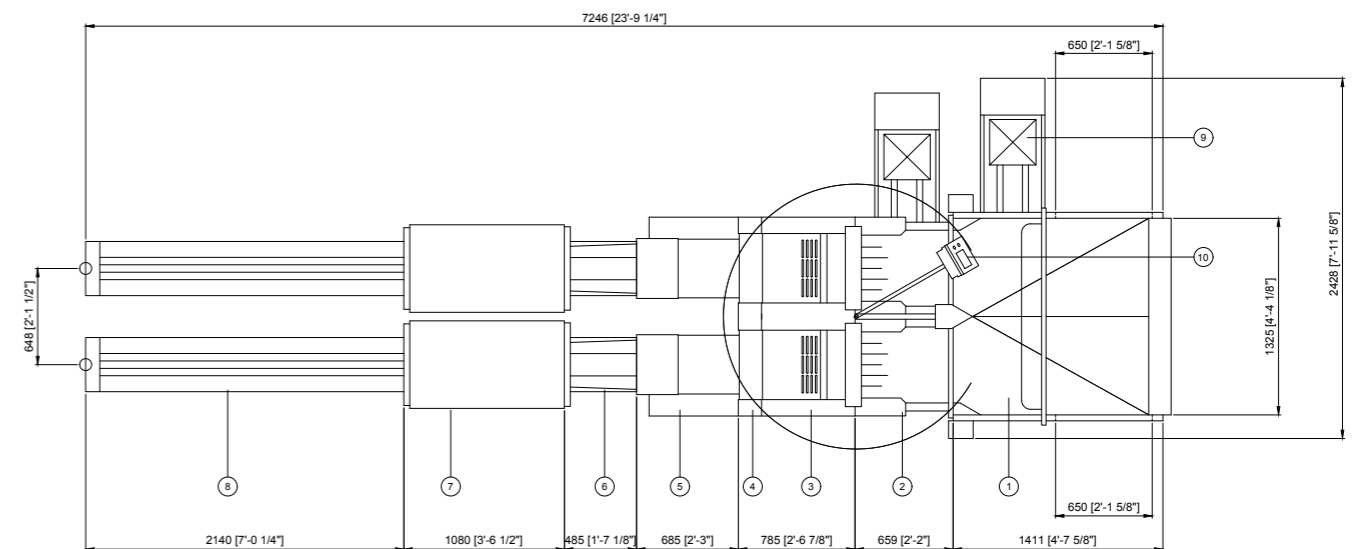
Speed can be adjusted by operator for maximum efficiency during the whole laying period.

10 Tray stacker

Capable of stacking both pulp and plastic trays into stacks of 6 trays high.

11 Split belt

With the standard split belt accumulator and its adjustable guides, the egg flow can be separated for each packing head, for example white and brown eggs.



Farmpacker 24000

Up to 67 cases/hour (24,000 eggs/hour)



1 Cups

Perfect point down. We can assure you a percentage of more than 99.8. Minimum transfer height from rollers to the cups. The open structure of the cups ensures superior egg handling.

2 Rollers

Easily cleanable rollers.

3 Gentle transfer suction head

Gentle transfer with suction head to the packing lane. Easy snap-on/snap-off setup.

4 Integrated controls

Simple control that is easy to understand and easy to use. If the blue button is activated, eggs will be pulled forward from hen house until first eggs arrive on the accumulator. The same button will automatically empty the machine at the end of the day. An emergency button is a standard provision for your safety.

5 Accumulator

The accumulator is supplied with a plastic belt for optimal cleaning. If the accumulator is full, the process is automatically stopped with pressure control.

6 Safety

The transfer arm collecting eggs from the cups and bringing to the setter tray is well protected against any interference from the operator.

7 Egg counter

Provides more information about the total amount of eggs. Standard egg counter integrated in the machine.

8 Easy access

Packing lane is able to handle 5 filled 30-egg trays. Provides good overview of the eggs.

TECHNICAL DATA

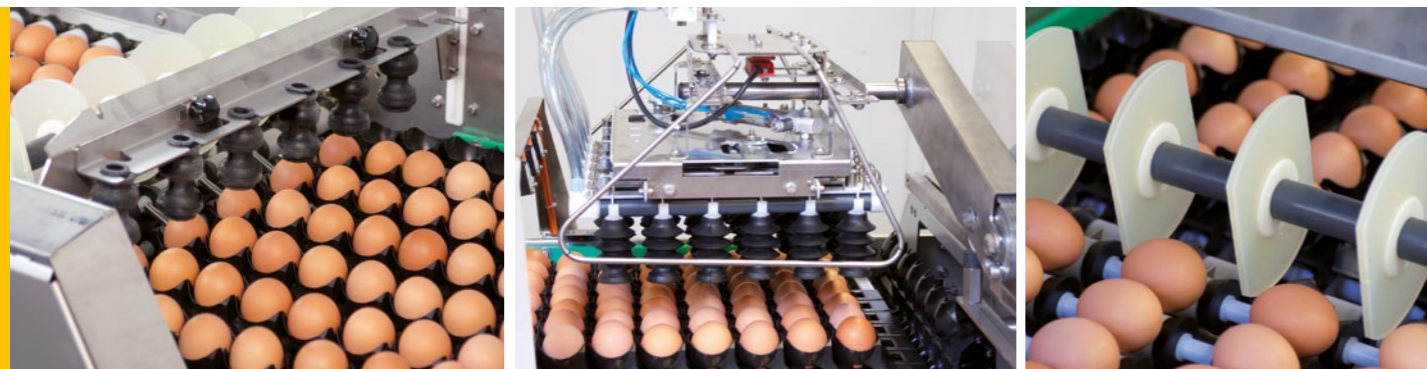
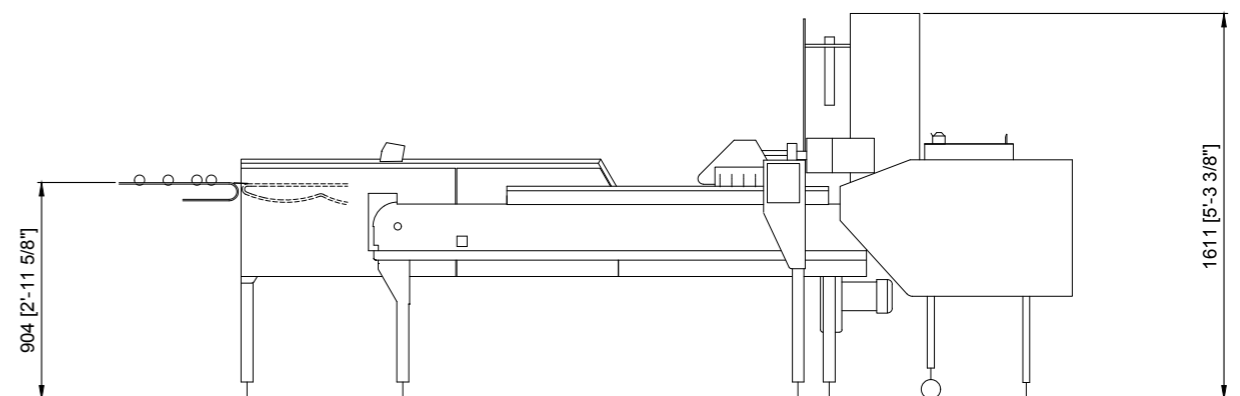
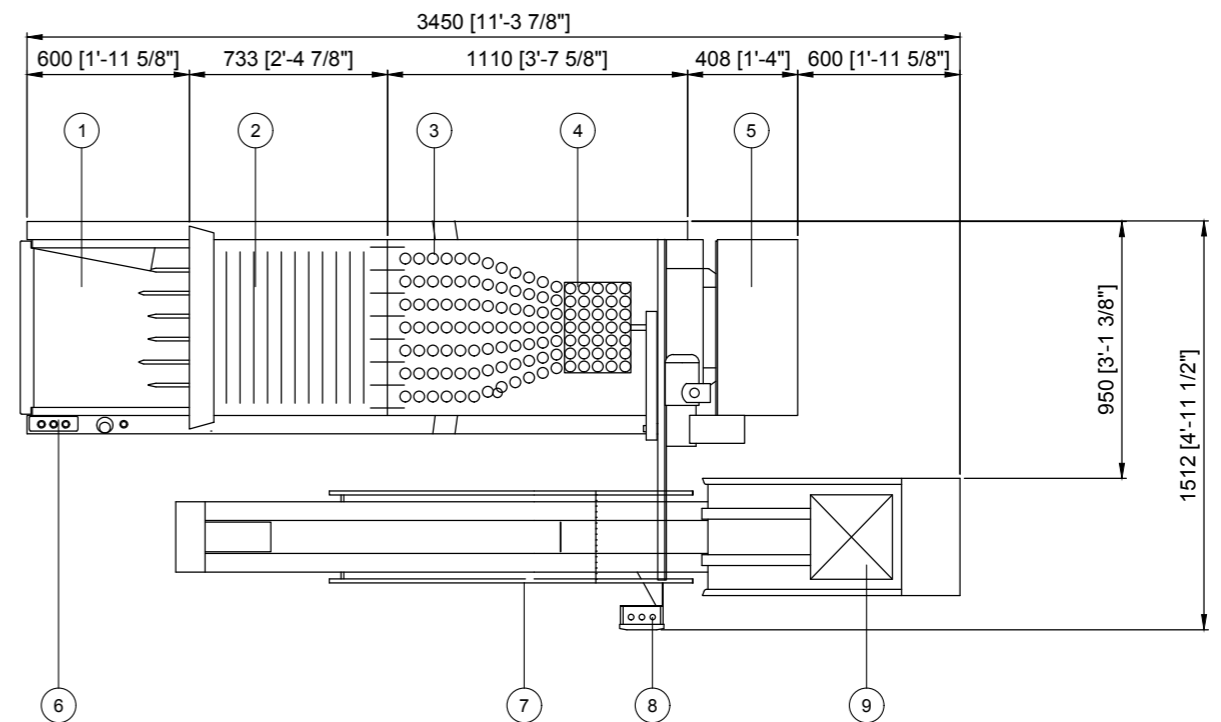
Max capacity: Up to 67 cases/hour (24,000 eggs/hour)

Energy: 1.9 kVA

Power supply: 230 V-0-ground, 1.0-phase-AC, 50/60 Hz

Explanation drawing:

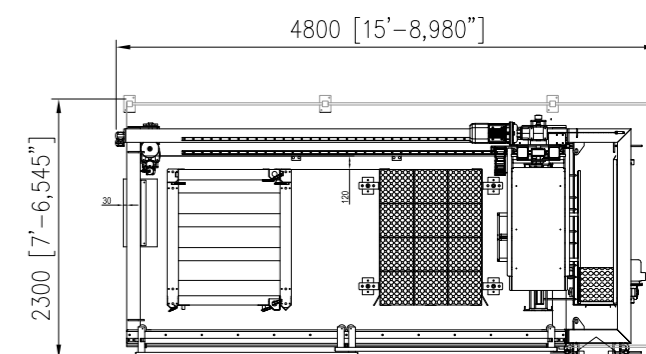
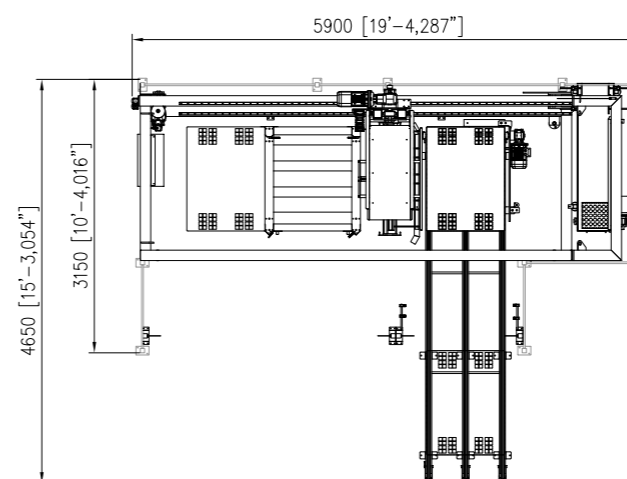
1.	Accumulator
2.	Egg orientation
3.	Cups
4.	Suction head
5.	Electrical cabinet
6.	Operator panel
7.	Packing lane
8.	Denester control
9.	Denester for 30-egg tray





TECHNICAL DATA MINI PALLETIZER

Capacity	Up to 72,000 eggs/hour (200 cases/hour)
Empty pallet maximum capacity	10
Interlayer maximum height	1500 mm
Power consumption	6 kW
Air pressure	6 bar
Robot weight	2300 kg (manual) 2600 kg (automatic)
Minimum height of ceiling	2,7 m (manual 5 layers) 3 m (automatic 6 layers)
Certifications	CE - UL - CSA



Egg Palletizing

Ensures a higher quality of your egg packaging

Save time and add value to your eggs by using a SANOVO Palletizer or Mini Palletizer for automatic stacking of your pallets.

Today many egg processors and grading stations use De-Palletizers in their production environment - putting a pressure on you as a farmer. You need to ensure perfectly packed pallets for easy unloading into the infeed systems.

Transportation to the grading station is crucial and you want to ensure the safest transport method. By placing your pallets optimally, you can avoid cracks in the eggs during transportation.

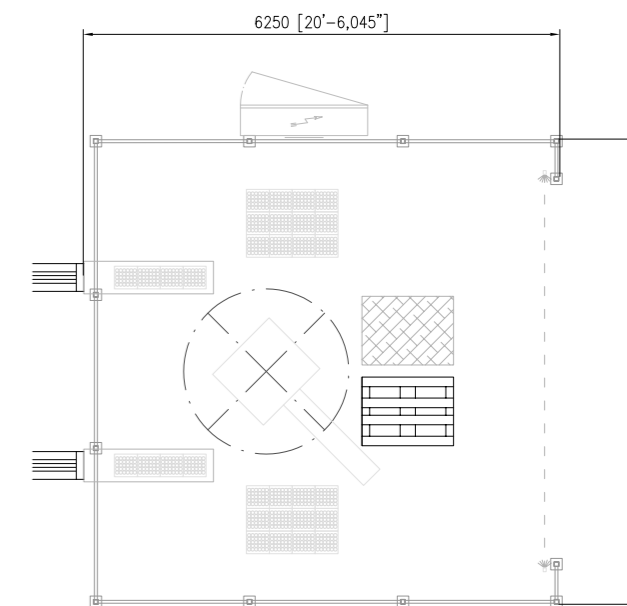
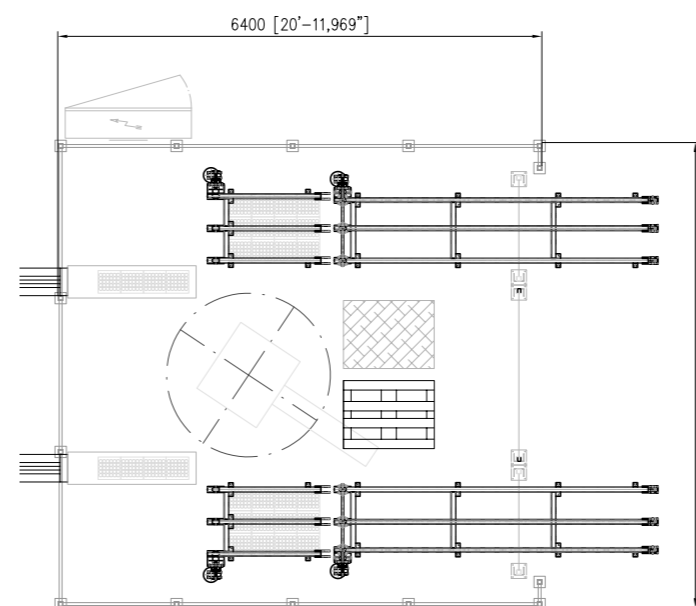
The SANOVO Palletizer and Mini Palletizer gently stacks up to 144,000 eggs/hour in plastic or pulp trays. They handle plastic or carton interlayers as well as plastic or wood pallets according to the most common standards.

They can be configured in numerous different standard layouts to suit various farm configurations. Customized configurations can be arranged on request.

TECHNICAL DATA PALLETIZER

Capacity	144,000 eggs/hour (400 cases/hour)
Empty pallet maximum capacity	10
Interlayer maximum height	1500 mm
Power consumption	15 kW
Air pressure	6 bar
Robot weight	2500 kg
Minimum height of ceiling	3,5 meter
Certifications	CE - UL - CSA

Numerous different standard layouts are available to suit various farm configurations. Alternatively, customized configurations can be realized on request.



Equipment options



Extra wide accumulator extension 890 mm
(Only models 70, 100 and 200)

Extension with belt width of 1200 mm required when multiple egg conveyors are connected from the back of the Farmpacker. Can also be used if egg conveyors come from the side. Equipped with separate drive unit to ensure optimum egg regulation towards packing position.



Accumulator extension 860 mm
(Only models 70, 100 and 200)

Extension with belt width of 600 mm required when multiple egg conveyors are connected from the side to the Farmpacker. Extension is equipped with separate drive to ensure optimum egg flow towards packing position.



Traystacker SX40

Stacking single pulp or plastic trays into stacks of 6 trays high. Constructed using stainless steel solid guides, which together with a clutch on the motor ensure continued reliability.



Extended outfeed belt for tray stacker

Up to 12 stacks are buffered on the belt or can be forwarded to the take away position



Accumulator extension
(Only model 40)

Extension with belt length of 590 mm and width of 430 mm, required when multiple egg conveyors are connected from the side to the Farmpacker. Seamless low friction belt for optimum egg regulation towards packing position.



Extra long Accumulator extension 1280 mm
(Only models 70, 100 and 200)

Extension with belt width of 600 mm, required when multiple egg conveyors are connected sideways on the Farmpacker. Extension is equipped with separate drive to ensure optimum egg flow towards packing position.



Traystacker SX20

Highly economical and space efficient, SX20 ensures an easy collaboration with operators. It is created for Farmpacker 40, 70 and 24000.



Farmgrader 80

Washable electronic weighing unit, which can be placed between the egg conveyor and Farmpacker. Programmable weight classes can be sent to the Farmpacker or to two hand collecting shelves. Data can be transferred to MS Excel by standard USB storage device.



Accumulator extension
(Only model 40)

Extension with belt length of 1000 mm and width of 430 mm, required when multiple egg conveyors are connected from the side to the Farmpacker. Seamless low friction belt for optimum egg regulation towards packing position.



Curves: 90° and 180°

90 or 180 degree curves can be combined with the take away conveyor or stacker. Left- and right-handed versions along with different belt lengths in between two 90 degree turns for optimal machine configuration are available.



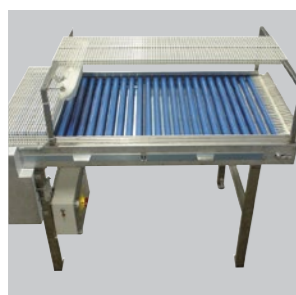
Palletizing

Fully automatic system for placing stacks of eggs on a pallet. Usable for plastic or pulp trays, cardboard or preformed intermediate layers. Multiple pallet positions and different configurations are possible.



Take away conveyor
(Only models 100 and 200)

For buffering up to 6 filled trays. Height of the take away conveyor can be determined during installation and the conveyor is equipped with a pressure control switch.



Pre candling unit
(Only models 70, 100 and 200)

Pre candling unit which can be placed between the egg conveyor and Farmpacker. This unit consists of soft high friction rollers that rotate every egg for optimum quality checking. Also equipped with a tube light.



Egg counter
(Only models 40 and 70)

Electronic counter for keeping track of total eggs packed. The counter has the possibility of adding or deducting amounts of eggs taken out during pre candling.



Printing & Stamping

Various printing and stamping options are available.



First aid kit

Although your Farmpacker is delivered with spare parts, this first aid kit enables you to do most of the regular maintenance.

Critical aid kit

Contains specific parts that will ensure ongoing production in all cases.

A global player but close to you

Our objective is to contribute to the ongoing success of your business, and whether you are a small-, medium- or large-sized company, we turn your eggs into valuable business.

Providing complete solutions for the egg processing industry has been our main activity for more than 60 years, and it still is. However, we specialize in many other business areas such as enzymes, pharma, hatchery and spray drying, which give us the opportunity to interact and build relationships with a variety of prospering industries.

We believe in personal relations and know that our team of skilled professionals is the key to mutual success and trust. Gathered from all over the world, they provide know-how and deliver the right service and solutions in close cooperation with you as a customer.



SANOVO TECHNOLOGY GROUP
Odense - Denmark
TEL +45 66 16 28 32
info@sanovogroup.com



PurePrint® by KLS
Produced 100% biodegradable
by KLS PurePrint A/S

www.sanovogroup.com