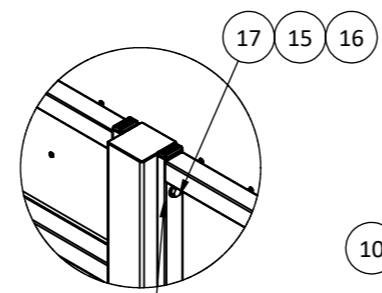
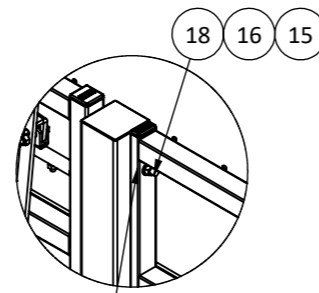
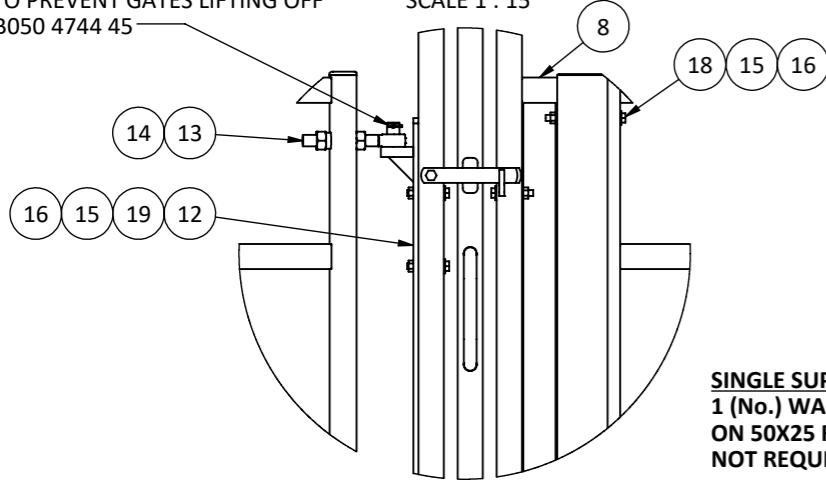


TOP HOOKS TO BE FITTED WITH SPLIT PINS TO PREVENT GATES LIFTING OFF SPLIT PIN - B050 4744 45

DETAIL B SCALE 1 : 15

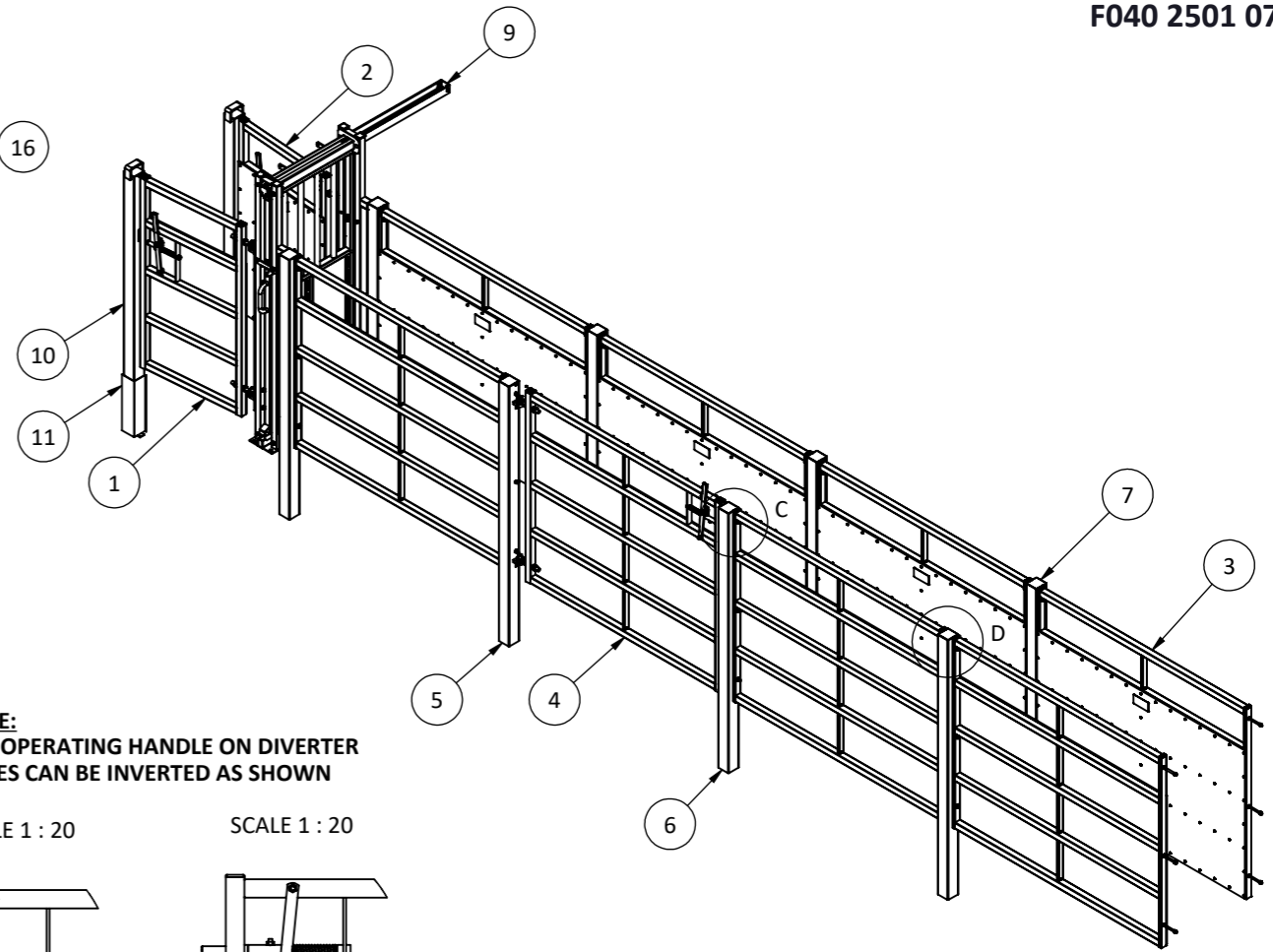
DETAIL C SCALE 1 : 15

DETAIL D SCALE 1 : 15



SINGLE SUPPORT POSTS
1 (No.) WASHER REQUIRED ON 50X25 RHS ENDSTILE ONLY. NOT REQUIRED ON POST SIDE.

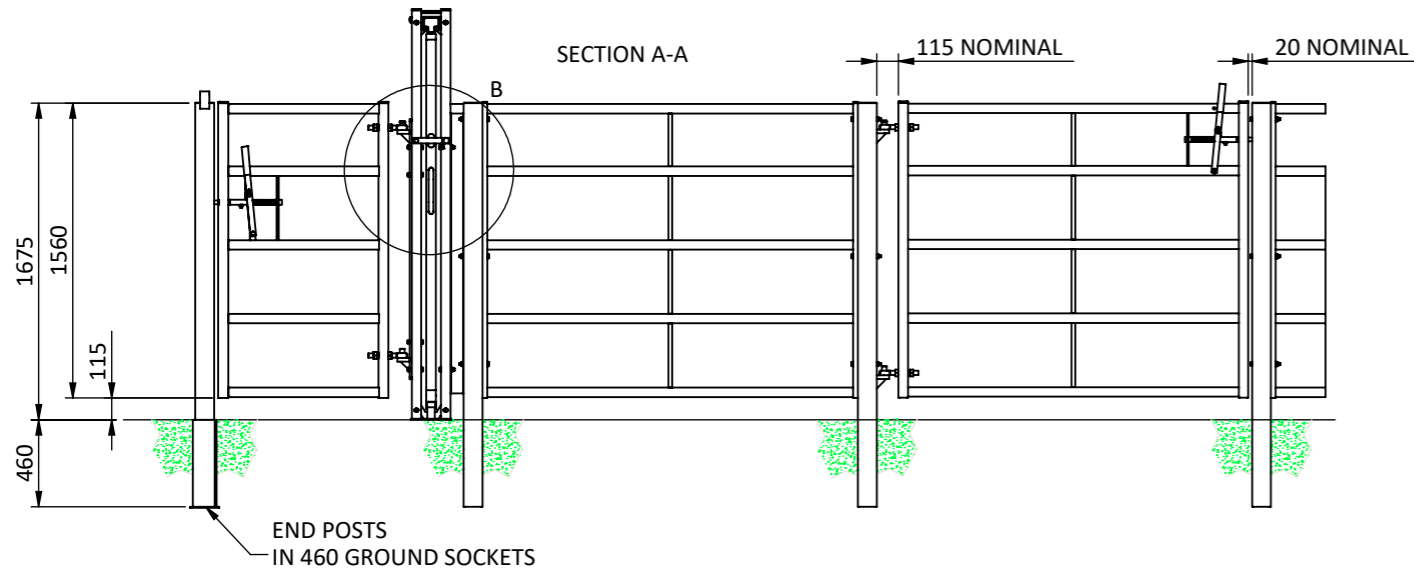
DUAL SUPPORT POSTS
WASHERS BOTH SIDES



SECTION A-A

115 NOMINAL

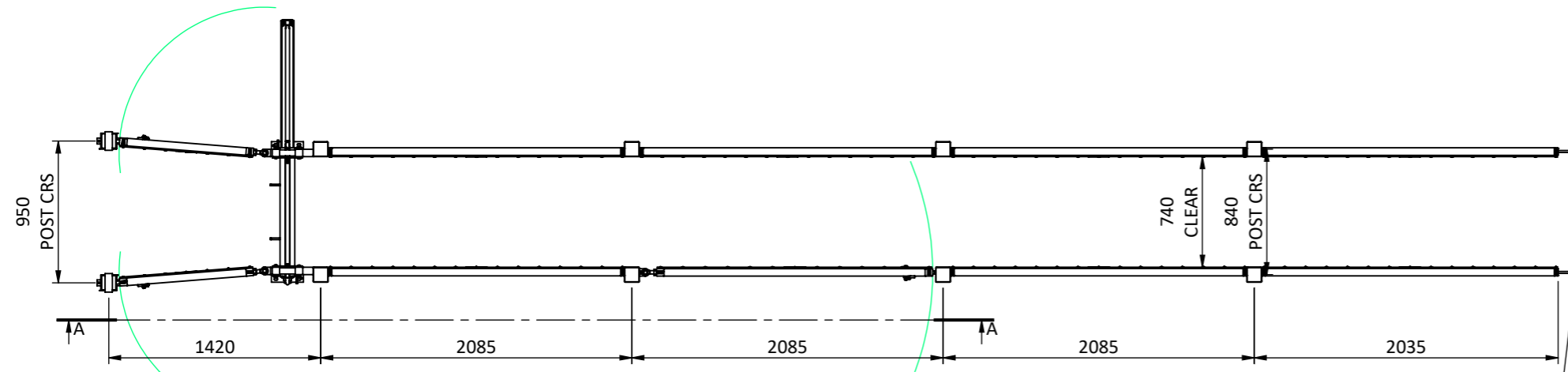
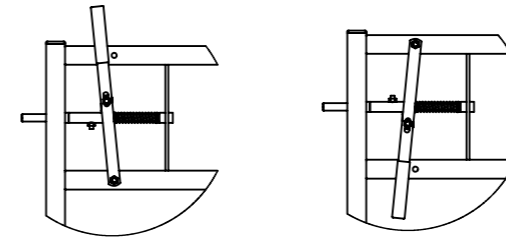
20 NOMINAL



NOTE:
TOP OPERATING HANDLE ON DIVERTER GATES CAN BE INVERTED AS SHOWN

SCALE 1 : 20

SCALE 1 : 20



ADDITIONAL BOLTS & NUTS PROVIDED FOR FIXING TO FORCING CIRCLES (IF SUPPLIED)

GENERAL INSTALLATION DETAILS

EXCLUDING THE SLIDING GATE, ALL EQUIPMENT IS TO STAND AT A NOMINAL 1675 ABOVE F.F.L. AS A GUIDE FOR ANY POST HOLE PREPERATION, ALL POSTS ARE NOMINALLY 460 DEEP INTO GROUND.

DO NOT PERMANENTLY FIX ANY POSTS INTO GROUND UNTIL ALL EQUIPMENT HAS BEEN CHECKED FOR FIT.

ITEM NO.	PART NUMBER	DESCRIPTION	QTY.
1	F040 2601 11	900L X 1560H 5R PRT STKB GATE L/HAND	1
2	F040 2601 10	900L X 1560H 5R PRT STKB GATE R/HAND	1
3	F040 2500 93	1985L X 1560H 5R PART STOKBOARD PANEL	7
4	F040 2500 91	1850L X 1560H 5R PRT STKBRD GATE T/OP RH	1
5	F040 2500 38	2135L 100X100 SHS HANG SUPP POST RH	1
6	F040 2500 36	2135L 100X100 SHS SLAM SUPP POST RH	1
7	F040 2500 28	2135L 100X100 SHS OFFSET SUPP POST	6
8	F040 2500 24	1530 HIGH INFILLER CHANNEL	2
9	F040 2008 06	CATTLE SLIDING GATE IN RACE ARCH GALV	1
10	F017 2122 24	100x100 SHS SLAM POST C/W LIFTING LOOP	2
11	F017 2073 01	GROUND SOCKET T/S 100X100 SHS POST	2
12	F016 0012 28	25mm HOOKS ON BACK PLATE	2
13	B104 1224 22	M24 X 180mm EYEBOLT GALV	6
14	B050 4744 45	3/16 X 1 1/2 IN COTTER PIN	3
15	B041 3006 12	M12 WASHER (FORM 'F') BZP	54
16	B040 3001 12	M12 FULL NUT BZP	42
17	B003 3121 80	M12 X 180 BOLT BZP	12
18	B003 3121 50	M12 X 150 BOLT BZP	18
19	B003 3120 75	M12 X 75 BOLT BZP	12

ITEM DESCRIPTION: PART STOCKBOARD STRAIGHT RACE R/HAND		FOR STANDARD TOLERANCE INFORMATION PLEASE REFER TO IAE DOCUMENT D-12		A3	SHEET: 1 OF 1
DRAWING No: F040 2501 07	REV: B	DRAWN: JE	SCALE: 1:40		B REBUILD AND DRAWING BORDER UPDATED A FIRST ISSUE
MATERIAL: VARIES			EST.WEIGHT(Kg): 937.81		



- ALL DIMENSIONS ARE IN MILLIMETRES
- THREADS TO BE METRIC COARSE UNLESS OTHERWISE STATED
- ALL HOLES TO BE ON ϕ UNLESS OTHERWISE STATED
- FULLY WELD UNLESS OTHERWISE STATED
- DO NOT SCALE UNDIMENSIONED FEATURES

5429	SW	21/05/2019
N/A	JE	09/07/2018
ECO	INT	DATE