

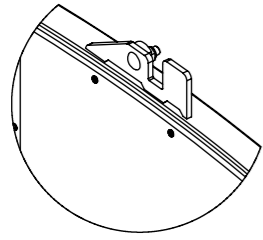
ITEM NO.	PART NUMBER	DESCRIPTION	QTY.
1	F040 2500 59	1070L RH P/STKBRD GATE TOP OP S/BOLT	1
2	F040 2500 58	2297L X 1560H 5 RAIL STKBRD RAD PANEL	4
3	F040 2500 56	1717L X 1560H 5 RAIL STKBRD RAD PANEL RH	1
4	F040 2500 54	1675L X 1560H 5 RAIL STOKBOARD PANEL RH	1
5	F040 2500 51	2840L X 1560H 5R PART STKBRD GATE RH	1
6	F040 2500 40	114.3 DIA x 2285L HANG POST c/w COLLAR	1
7	F040 2500 28	2135L 100X100 SHS OFFSET SUPP POST	7
8	F040 2500 24	1530 HIGH INFILLER CHANNEL	2
9	F040 2500 23	25DIA H/HOOKS ON 1150L CHANNEL	1
10	F040 2500 11	139 COLLAR HINGE TS 114 POST M24 THREAD	2
11	F040 2008 06	CATTLE SLIDING GATE IN RACE ARCH GALV	1
12	F017 2103 24	2135L 114DIA SLAM SUPPORT POST	1
13	D040 2025 02	210X70 RATCHET CATCH / STOP PLATE	2
14	D040 2025 01	140X60 RATCHET CATCH PLATE	14
15	B104 1224 22	M24 X 180mm EYEBOLT GALV	2
16	B050 4744 45	3/16 X 1 1/2 IN COTTER PIN	1
17	B041 3006 12	M12 WASHER (FORM 'F') BZP	46
18	B040 3002 12	M12 NYLOC NUT TYPE T BZP	16
19	B040 3001 12	M12 FULL NUT BZP	36
20	B009 3120 40	M12X40 CUP SQUARE BOLT BZP	16
21	B003 3121 80	M12 X 180 BOLT BZP	12
22	B003 3121 60	M12 X 160 BOLT BZP	3
23	B003 3121 50	M12 X 150 BOLT BZP	5
24	B003 3121 20	M12 X 120 BOLT BZP	6
25	B003 3120 90	M12 X 90 BOLT BZP	6
26	B003 3120 70	M12 X 70 BOLT BZP	4

ITEM DESCRIPTION: R/H CIR CATTLE FORCING ASS CW STOCKBOARD

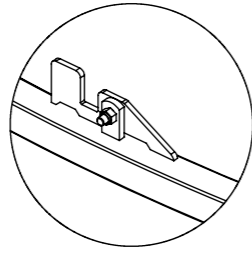
DRAWING No: F040 2500 03	REV: G	FOR STANDARD TOLERANCE INFORMATION PLEASE REFER TO IAE DOCUMENT D-12	A3	SHEET: 1 OF 2
MATERIAL: VARIES	DRAWN: MD			SCALE: 1:40
		<ul style="list-style-type: none"> <li>ALL DIMENSIONS ARE IN MILLIMETRES</li> <li>THREADS TO BE METRIC COARSE UNLESS OTHERWISE STATED</li> <li>ALL HOLES TO BE ON <math>\phi</math> UNLESS OTHERWISE STATED</li> <li>FULLY WELD UNLESS OTHERWISE STATED</li> <li>DO NOT SCALE UNDIMENSIONED FEATURES</li> </ul>	EST.WEIGHT(Kg): 881.55	DATE: 25/05/2010

REV	DESCRIPTION	ECO	INT	DATE
G	REBUILD AND DRAWING BORDER UPDATE	5429	JK	24/05/2019
F	NEW TYPE SLIDING GATE. SPLIT PIN ADDED TO ACCESS GATE	4191	JE	13/08/2018
E	GALVANISED BOLT/NUT REPLACED BY BZP EQUIVALENT	3890	MA	12/01/2018

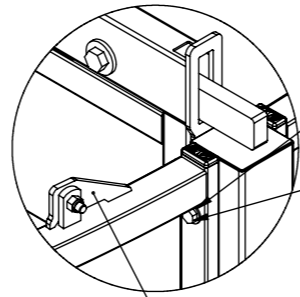
DETAIL A  
SCALE 1 : 10  
RATCHET / STOP PLATE DETAIL.



DETAIL B  
SCALE 1 : 10  
RATCHET / STOP PLATE DETAIL.



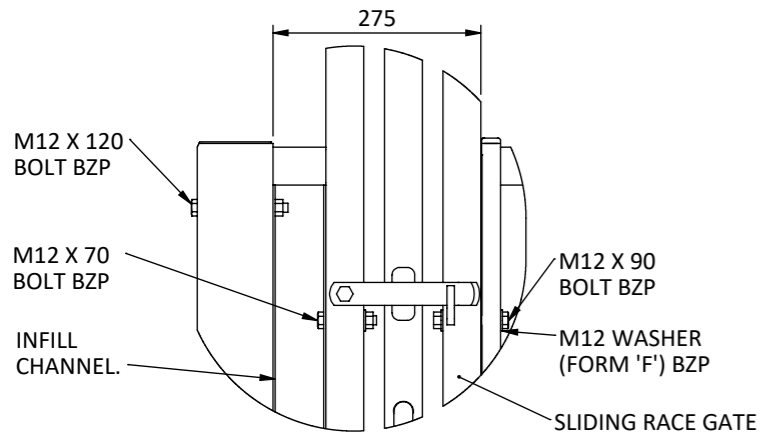
DETAIL C  
SCALE 1 : 10  
RATCHET PLATE DETAIL.



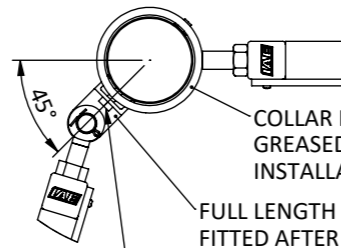
M12 WASHER  
(FORM 'F') BZP  
M12 X 180  
BOLT BZP

RATCHET PLATES TO BE FITTED TO TOP OF  
RADIUS PANEL, ORIENTATION AS SHOWN.  
USE M12X35 CUP SQUARE BOLTS AND  
NYLOC NUTS.

DETAIL E  
SCALE 1 : 10



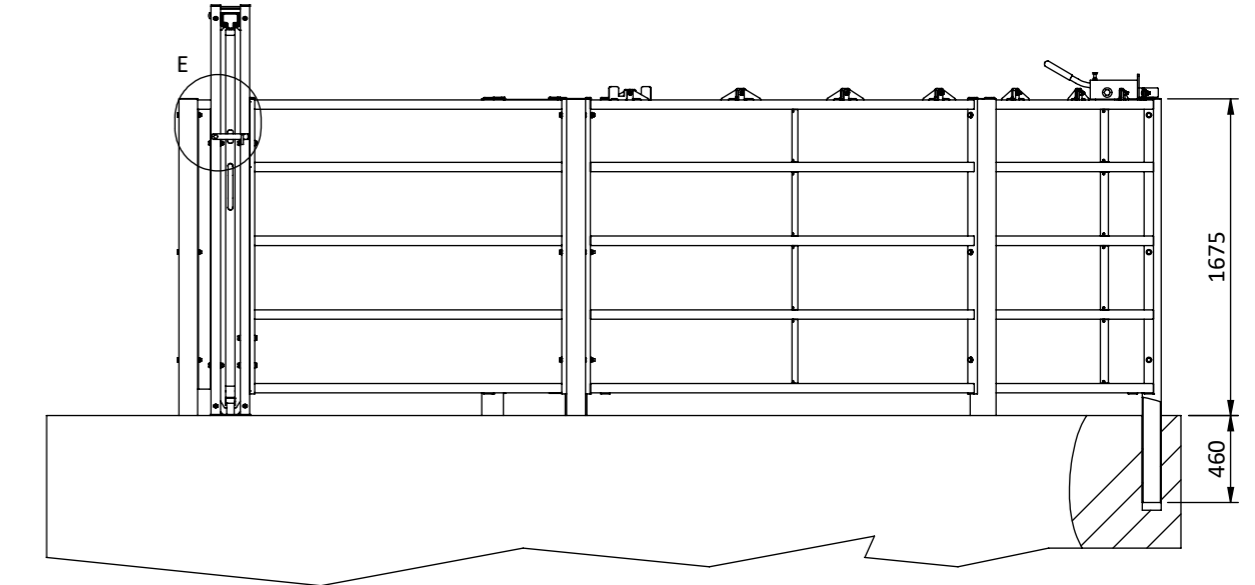
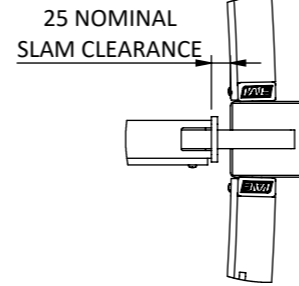
DETAIL D  
SCALE 1 : 10



COLLAR HINGE TO BE  
GREASED ON  
INSTALLATION.  
FULL LENGTH HINGE PLATE TO BE  
FITTED AFTER HANGING FORCING  
GATE WITH COLLAR HINGES.

M12 X 150 BOLT BZP

DETAIL F  
SCALE 1 : 10



**GENERAL INSTALLATION DETAILS.**

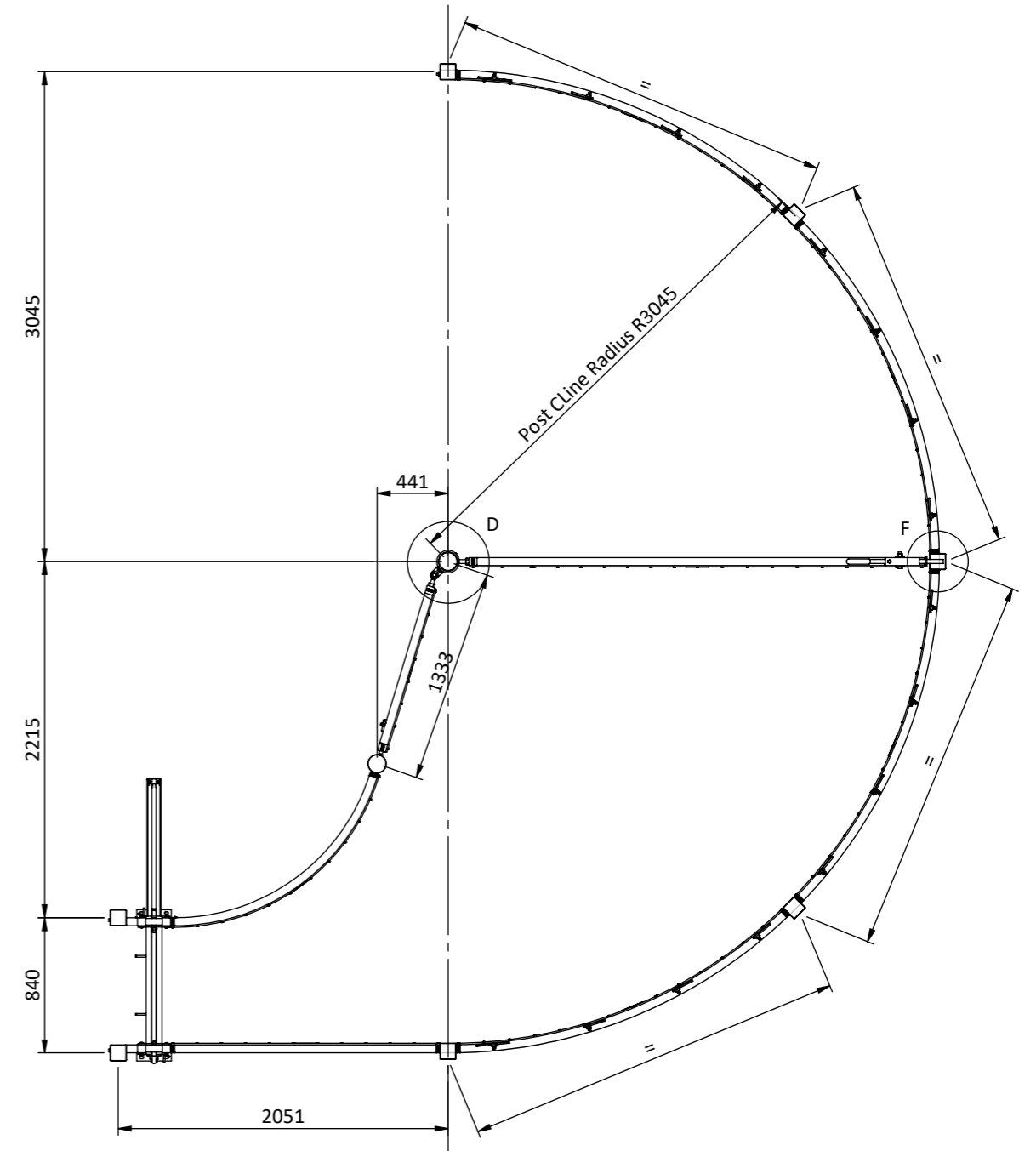
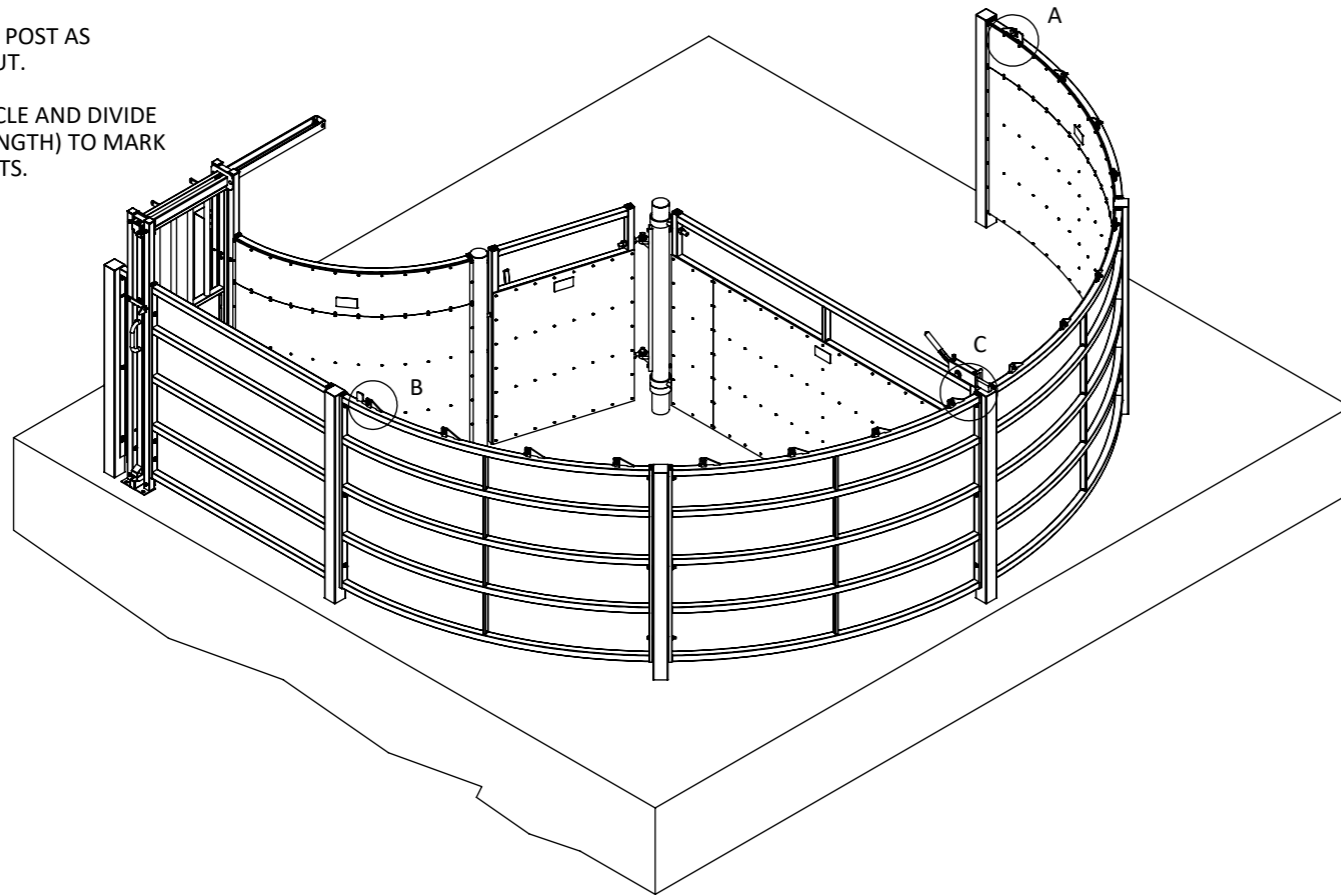
USE CENTRAL FORCING GATE HANG POST AS  
MAIN REFERENCE FOR MARKING OUT.

SCRIBE OUT 3045 RADIUS SEMI-CIRCLE AND DIVIDE  
EQUALLY (2330 APPROX' CHORD LENGTH) TO MARK  
CENTRE POINTS OF PERIMETER POSTS.

EXCLUDING THE SLIDING GATE, ALL  
EQUIPMENT IS TO STAND AT  
NOMINAL 1675 ABOVE F.F.L.

AS A GUIDE FOR ANY POST HOLE  
PREPERATION, ALL POSTS  
ARE NOMINALLY 460 DEEP INTO  
GROUND WITH THE EXCEPTION  
OF THE CENTRAL FORCING POST  
WHICH IS NOMINALLY 610  
DEEP INTO GROUND.

DO NOT PERMANENTLY  
FIX ANY POSTS INTO  
GROUND UNTIL ALL  
EQUIPMENT HAS BEEN  
CHECKED FOR FIT AND  
TRUE SWING OF  
FORCING GATE.



ITEM DESCRIPTION: R/H CIR CATTLE FORCING ASS CW STOCKBOARD			
DRAWING No: F040 2500 03	REV: G	FOR STANDARD TOLERANCE INFORMATION PLEASE REFER TO IAE DOCUMENT D-12	A3 SHEET: 2 OF 2
MATERIAL: VARIES	DRAWN: MD		SCALE: 1:40
		ALL DIMENSIONS ARE IN MILLIMETRES THREADS TO BE METRIC COARSE UNLESS OTHERWISE STATED ALL HOLES TO BE ON $\phi$ UNLESS OTHERWISE STATED FULLY WELD UNLESS OTHERWISE STATED DO NOT SCALE UNDIMENSIONED FEATURES	EST.WEIGHT(Kg): 881.55 DATE: 25/05/2010

-	See Sheet 1	-	-	-
ECO	INT	DATE		