

A

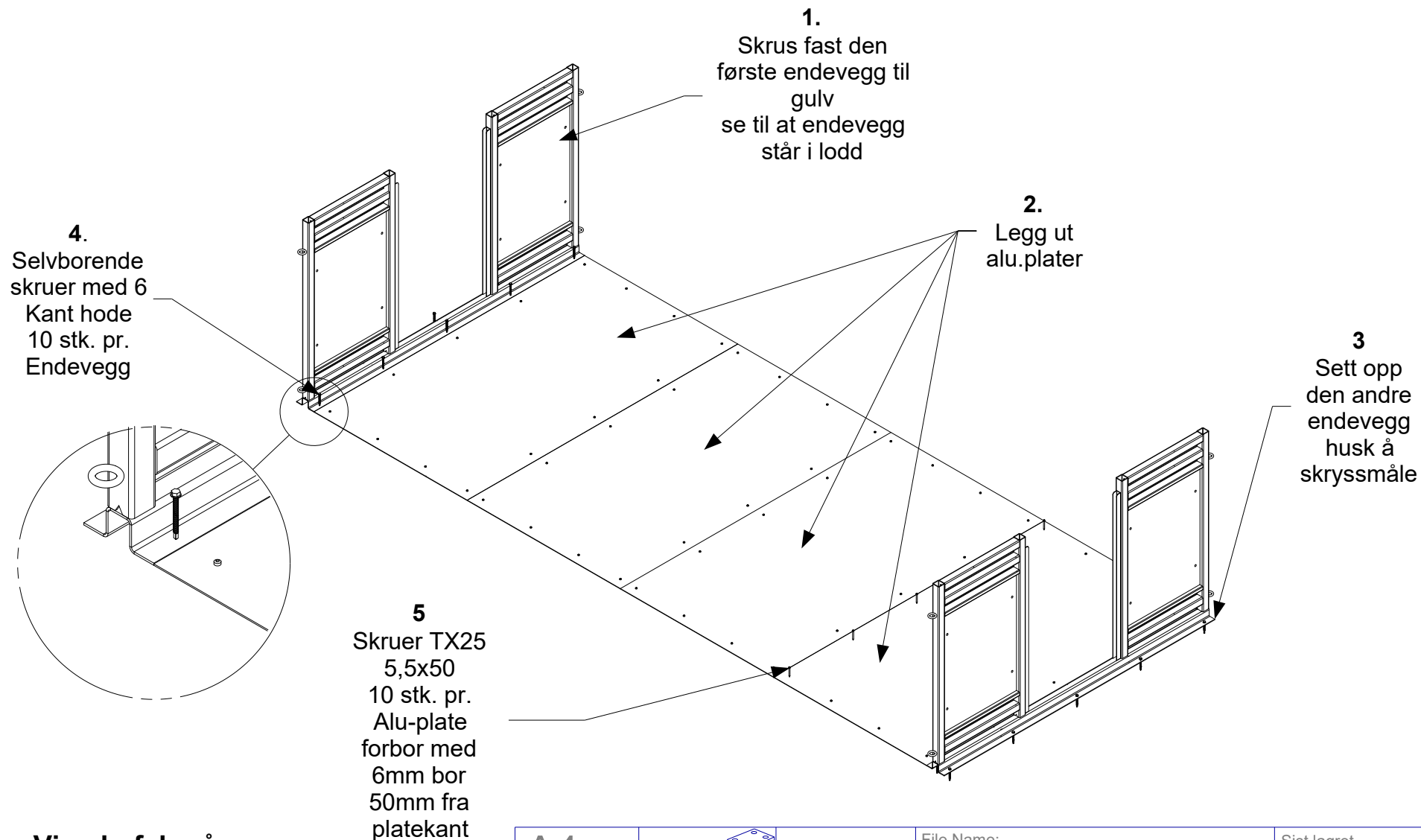
B

C

D

E

F



**Vi anbefaler å  
bruke Sikaflex  
i plateskjøter**

<b>A4</b>  ISO E	IronCAD 2D drawing 3D file available  Scale: <b>1:25</b>	General Tolerances acc to: <b>ISO 2768-1          medium</b>	File Name: <b>Forkasse 2000 luker Montering.icd</b>			Sist lagret: <b>30.09.2019          08.47.50</b>	
			Tegnet av: <b>SET</b>	Material:	Kg:	Først lagret:	
 			<b>Forkasse 4m</b>			Side Nr: <b>1 ( 5 )</b>	Rev. ...
						Doc. No: <b>2000</b>	

A

B

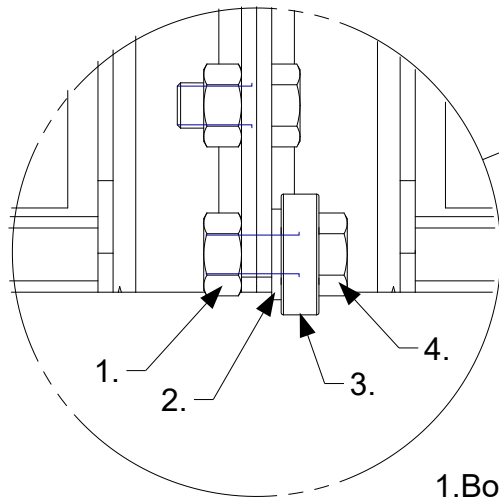
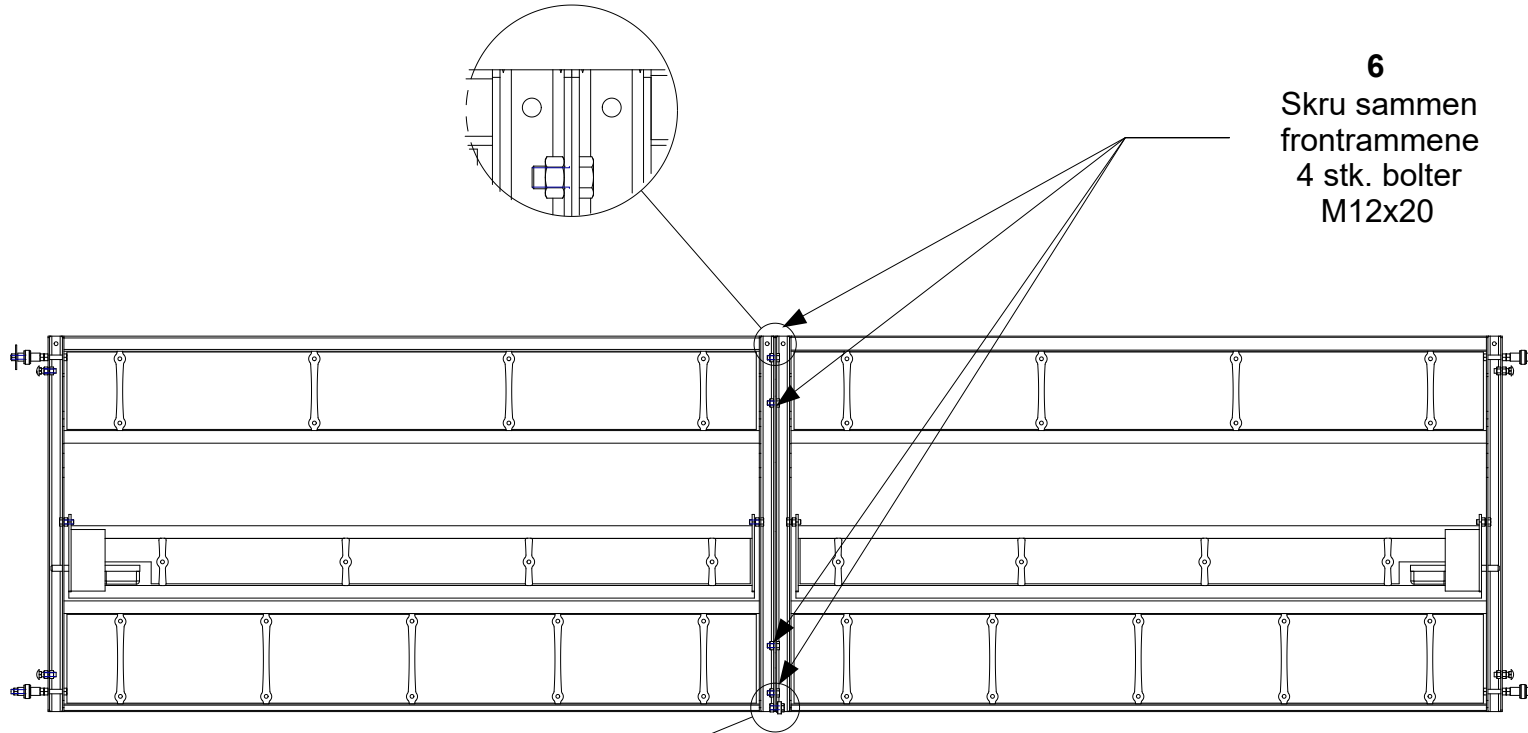
C

D

E

F

**6**  
Skrusammen  
frontrammene  
4 stk. bolter  
M12x20



1. Bolt 12x30
2. skive Ø13
3. Lager 12x32x10
4. Mutter M12

<b>A4</b>  ISO E	IronCAD 2D drawing 3D file available	 General Tolerances acc to:	File Name: <b>Forkasse 2000 luker Montering.icd</b>	Sist lagret <b>30.09.2019</b> <b>08.47.50</b>
	Scale: <b>1:20</b>	ISO 2768-1 medium	Tegnet av: <b>SET</b>	Material: 
			<b>Forkasse 4m</b>	
			Side Nr: <b>2 ( 5 )</b>	Rev. ...
			Doc. No: <b>2000</b>	

A

B

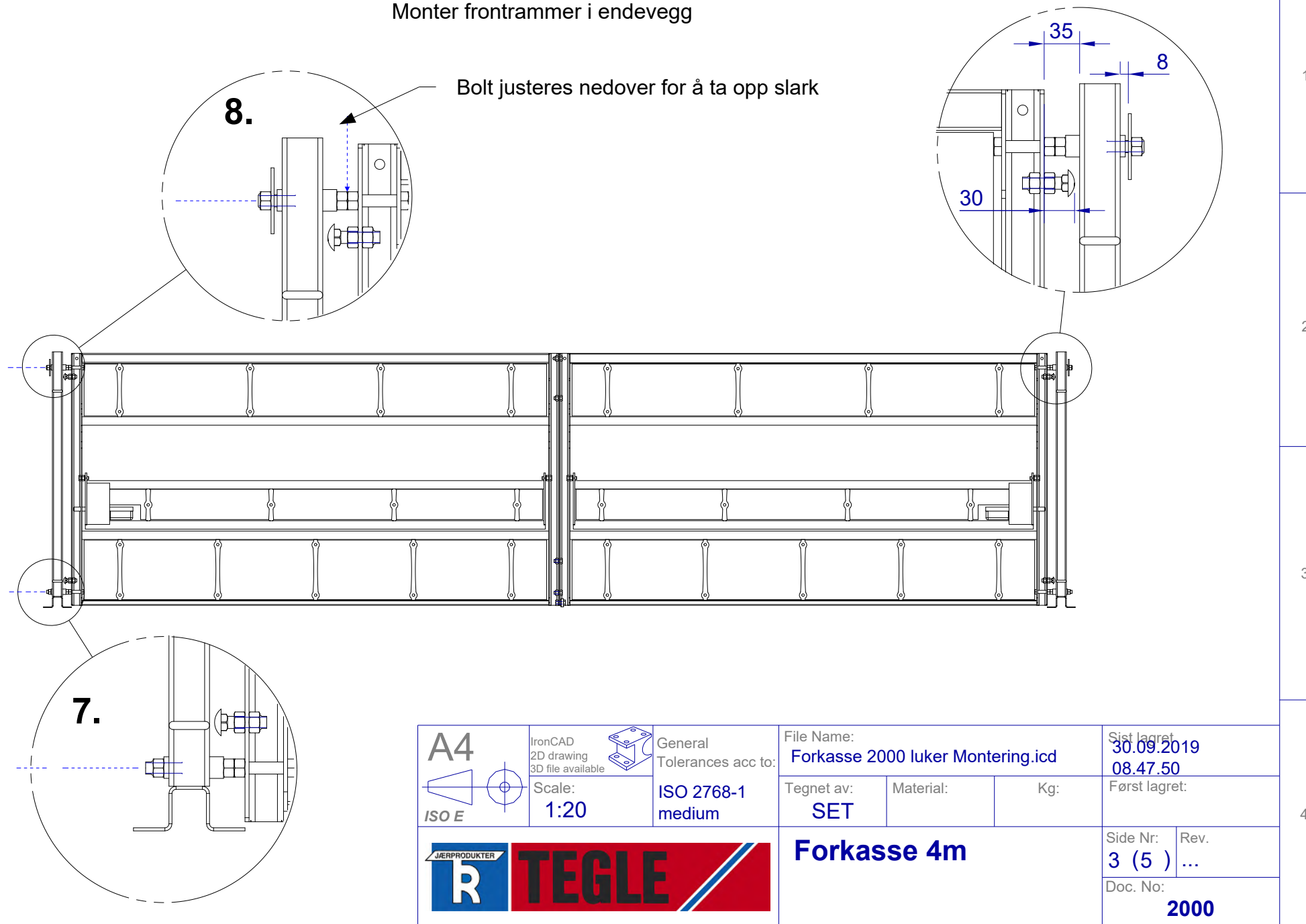
C

D

E

F

## Monter frontrammer i endevegg



Bolt justeres nedover for å ta opp slark

8.

35

8

30

7.

A4

IronCAD  
2D drawing  
3D file available



General  
Tolerances acc to:

File Name:

Forkasse 2000 luker Montering.icd

Sist lagret

30.09.2019

08.47.50



ISO E

Scale:  
1:20

ISO 2768-1  
medium

Tegnet av:

SET

Material:

Kg:

Først lagret:



**Forkasse 4m**

Side Nr:

3 ( 5 )

Rev.

...

Doc. No:

**2000**

A

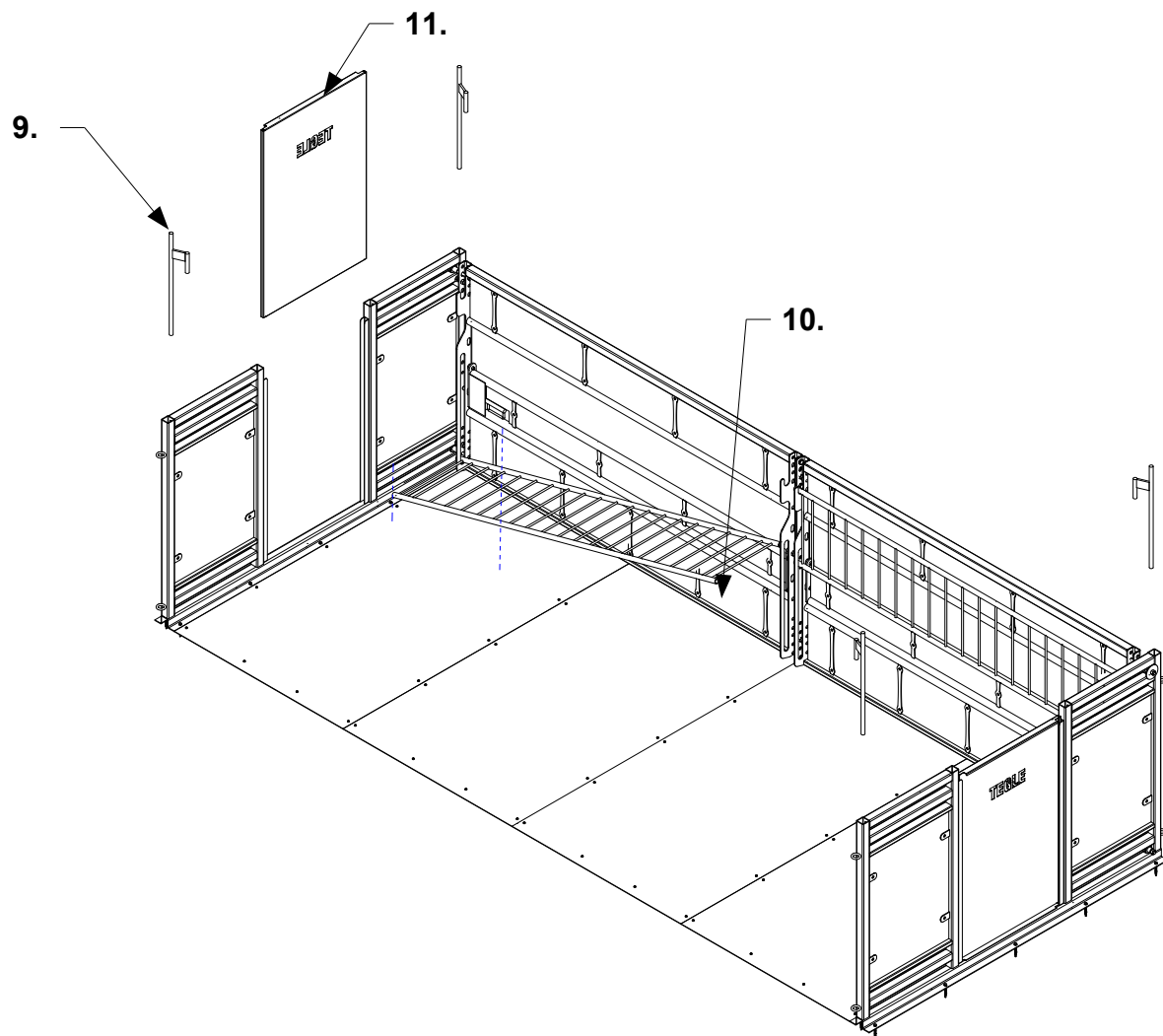
B

C

D

E

F



<b>A4</b>  ISO E	IronCAD 2D drawing 3D file available 	General Tolerances acc to:	File Name: <b>Forkasse 2000 luker Montering.icd</b>	Sist lagret: <b>30.09.2019</b> <b>08.47.50</b>
	Scale: <b>1:30</b>	ISO 2768-1 medium	Tegnet av: <b>SET</b>	Material: 
			<b>Forkasse 4m</b>	
			Side Nr: <b>4 (5 )</b>	Rev. <b>...</b>
			Doc. No: <b>2000</b>	

A

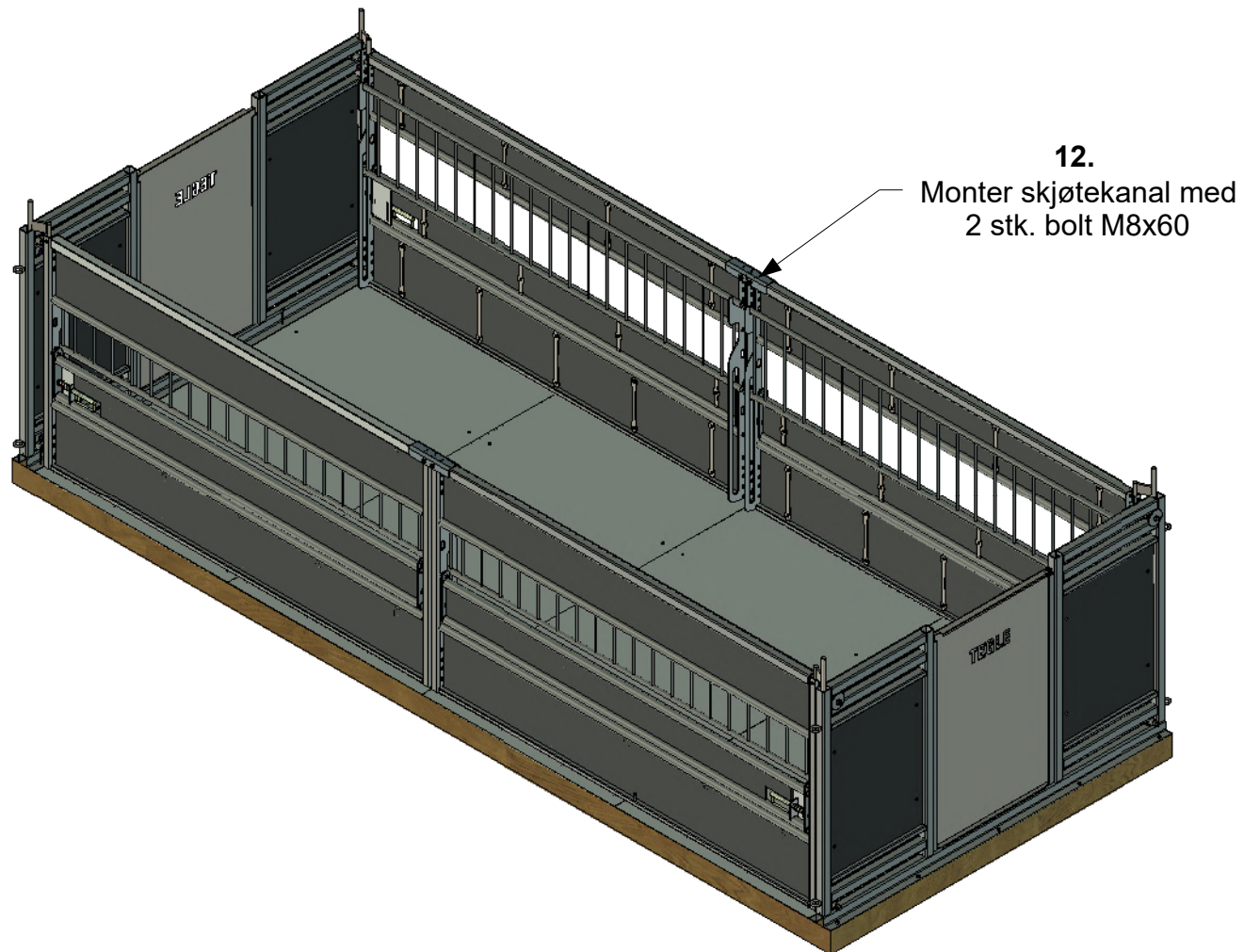
B

C

D

E

F



12.  
Monter skjøtekanal med  
2 stk. bolt M8x60

<b>A4</b>  ISO E	IronCAD 2D drawing 3D file available  Scale: <b>1:25</b>	General Tolerances acc to: <b>ISO 2768-1</b> medium	File Name: <b>Forkasse 2000 luker Montering.icd</b>			Sist lagret: <b>30.09.2019</b> <b>08.47.50</b>	
			Tegnet av: <b>SET</b>	Material:	Kg:	Først lagret:	
			<b>Forkasse 4m</b>			Side Nr: <b>5 ( 5 )</b>	Rev. ...
						Doc. No: <b>2000</b>	